

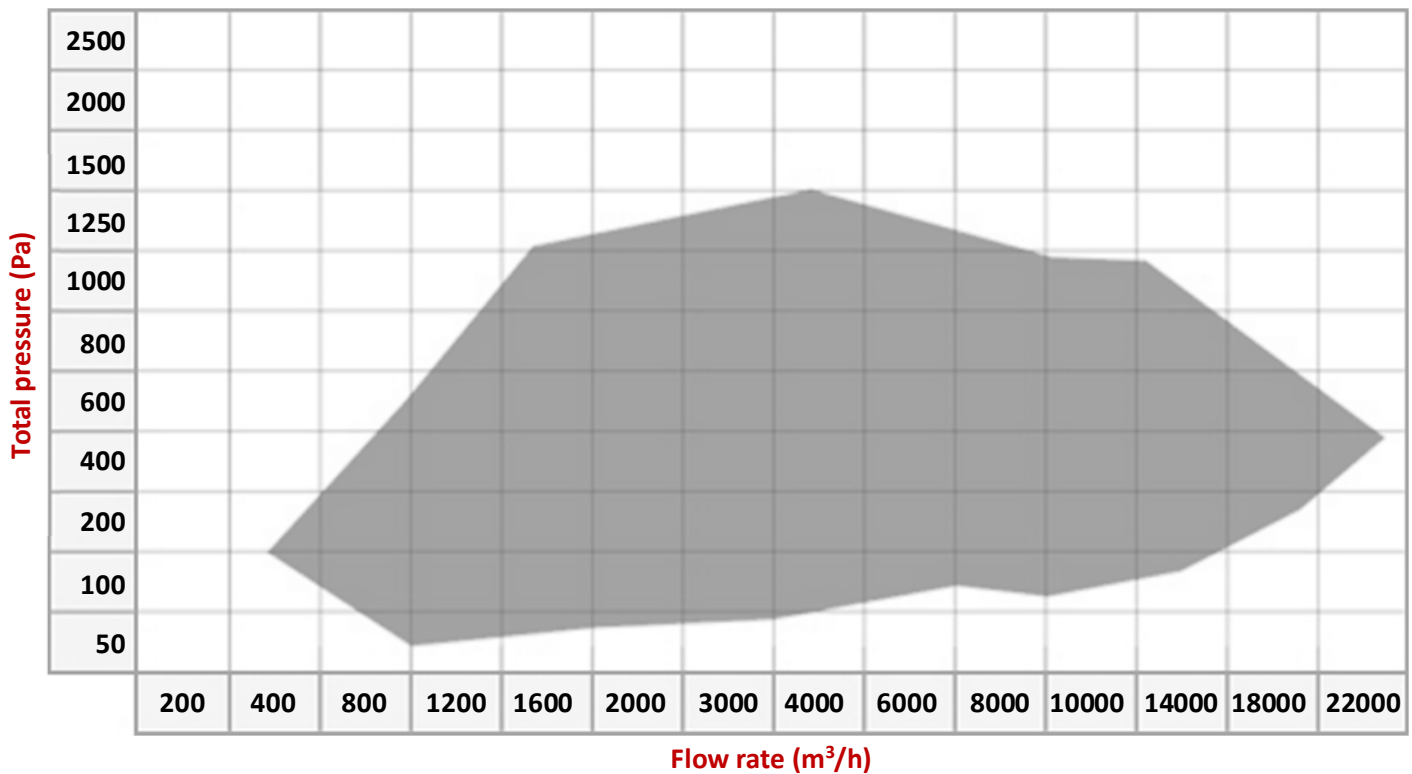


## TCO – ROOF FAN WITH HORIZONTAL DISCHARGE

Standard range with plastic housing

Roof fan with horizontal discharge made from plastic, fitted with high-performance backwards inclined blades which make it very energy-efficient. The roof fans in the TCO series cover a range of flow rates for the ventilation of chemical product storage areas. **For optimal installation, we recommend the option with connection to a switch or external junction box for these fans.**

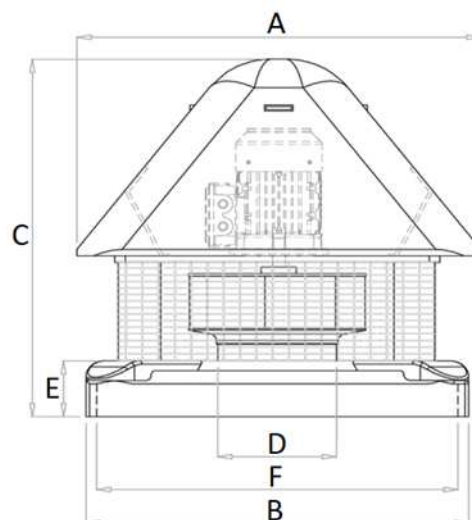
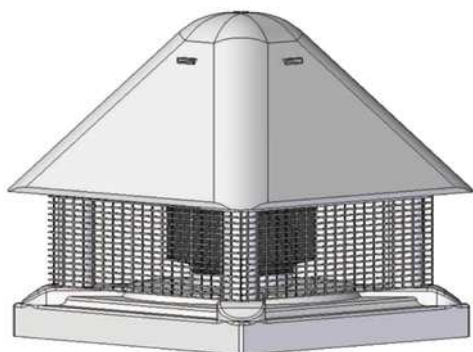
- Motor polarity: available in 2, 4 and 6 poles
- Housing and cowl in anti-static polyethylene (PE-el)
- Polypropylene (PP) impeller
- Stainless steel safety guard
- Flow rate: from 400 to 22,000m<sup>3</sup>/h
- Static pressure: up to 1250Pa





# TCO DIMENSIONS

General dimensions



TCO ...	HA mm	P. kW	V. rpm	A mm	B mm	C mm	D mm	E mm	F mm	Weight* mm
TCO 204	63	0.12	1450	570	540	550	125	85	330	16
TCO 202	63	0.18	2850	570	540	550	125	85	330	16
TCO 254	63	0.12	1450	570	540	580	160	85	500	17
TCO 252	71	0.37	2850	570	540	580	160	85	500	18
TCO 284	63	0.18	1450	570	540	600	180	85	500	17
TCO 282	80	0.75	2850	570	540	600	180	85	500	19
TCO 316	71	0.18	930	660	540	610	200	85	500	20
TCO 314	71	0.25	1450	660	540	610	200	85	500	22
TCO 312	90	1.50	2850	660	540	610	200	85	500	22
TCO 356	71	0.18	930	660	540	640	225	85	500	22
TCO 354	71	0.37	1450	660	540	640	225	85	500	22
TCO 352	90	2.20	2850	660	540	640	225	85	500	25
TCO 406	71	0.25	930	840	750	685	250	100	700	32
TCO 404	80	0.55	1450	840	750	685	250	100	700	32
TCO 456	80	0.37	930	840	750	710	280	100	700	37
TCO 454	90	1.10	1450	840	750	710	280	100	700	39
TCO 506	80	0.55	930	1000	750	850	300	80	710	93
TCO 504	100	2.20	1450	1000	750	850	300	80	710	102
TCO 566	90	1.10	930	1000	850	1000	340	80	810	108
TCO 564	112	4.00	1450	1000	850	1000	340	80	810	132
TCO 636	112	2.20	930	1200	950	1050	390	80	900	141
TCO 634	132	5.50	1450	1200	950	1050	390	80	900	169
TCO 716	132	4.00	930	1200	1050	1200	500	80	1000	184
TCO 714	160	11.00	1450	1200	1050	1200	500	80	1000	249
TCO 806	132	5.50	930	1200	1200	1300	570	80	1150	198
TCO 856	160	7.50	930	1200	1200	1500	600	80	1150	220

**Notes:**

\*Weights are variable according to the motorization (without ancillaries).

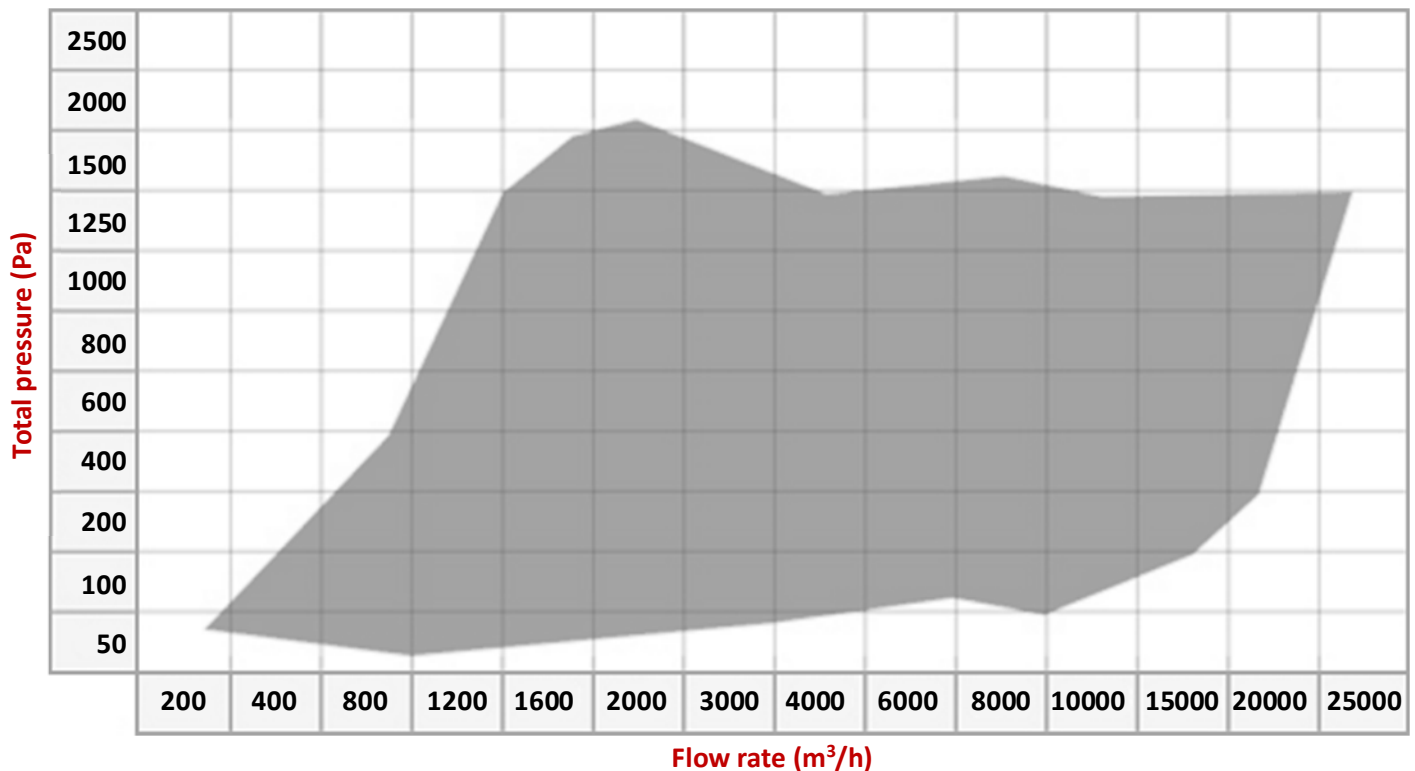
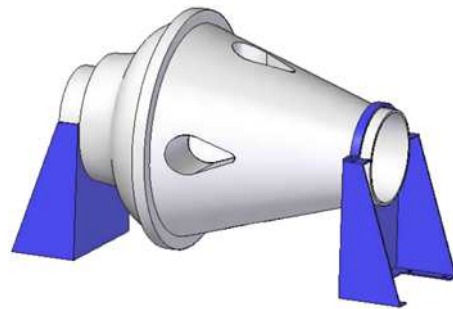


## TCVP – ROOF FAN WITH VERTICAL DISCHARGE

Standard range with plastic housing

Roof fan with vertical discharge made from plastic, fitted with high-performance backwards inclined blades which make it very energy-efficient. The roof fans in the TCV-P series cover a range of flow rates dedicated to the ventilation of chemical product storage areas. **For optimal installation, we recommend the option with connection to a switch or external junction box for these fans.**

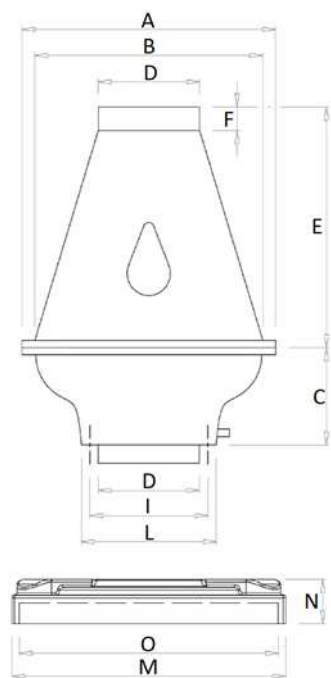
- Motor polarity: available in 2, 4 and 6 poles
- Housing and cowl in anti-static polyethylene (PE-el)
- Polypropylene (PP) impeller
- Flow rate: from 300 to 25000m<sup>3</sup>/h
- Static pressure: up to 1500Pa
- On request: In-line mounting for duct connections



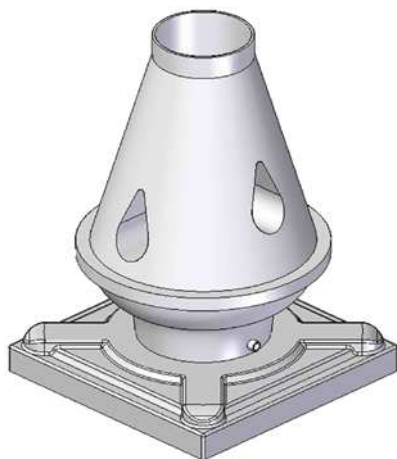


# TCVP DIMENSIONS

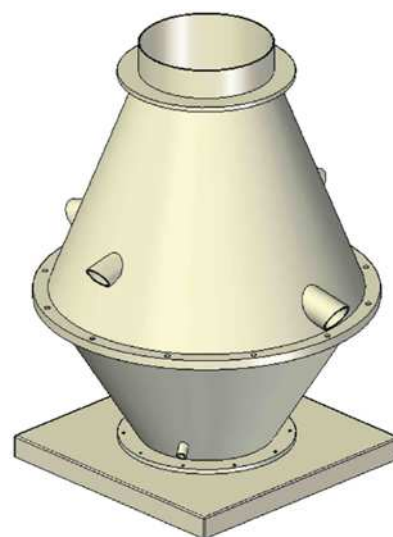
General dimensions



## TCVP 200 to 450



## TCVP 500 to 800



TCVP ...	HA mm	P. kW	V. rpm	A mm	B mm	C mm	D mm	E mm	F mm	I mm	L mm	M mm	N mm	O mm	Weight mm
TCVP 204	63	0.12	1450	400	350	145	160	420	40	200	240	540	80	490	10
TCVP 202	63	0.18	2850	400	350	145	160	420	40	200	240	540	80	490	10
TCVP 254	63	0.12	1450	500	450	185	200	460	50	230	265	540	80	490	13
TCVP 252	71	0.37	2850	500	450	185	200	460	50	230	265	540	80	490	13
TCVP 314	71	0.25	1450	600	560	240	280	600	50	325	365	540	80	490	26
TCVP 312	90	1.50	2850	600	560	240	280	600	50	325	365	540	80	490	33
TCVP 356	71	0.18	930	600	560	240	280	600	50	325	365	540	80	490	26
TCVP 354	71	0.37	1450	600	560	240	280	600	50	325	365	540	80	490	26
TCVP 352	90	2.20	2850	600	560	240	280	600	50	325	365	540	80	490	35
TCVP 456	80	0.37	930	800	730	280	355	700	50	405	450	750	100	700	40
TCVP 454	90	1.10	1450	800	730	280	355	700	50	405	450	750	100	700	48
TCVP 506	80	0.55	930	1000	900	400	400	700	80	510	550	800	70	750	82
TCVP 504	100	2.20	1450	1000	900	400	400	700	80	510	550	800	70	750	90
TCVP 566	90	1.10	930	1150	1050	430	450	800	80	560	600	900	70	850	150
TCVP 564	112	4.00	1450	1150	1050	430	450	800	80	560	600	900	70	850	160
TCVP 636	112	2.20	930	1300	1200	450	500	900	80	610	650	1000	70	950	180
TCVP 634	132	5.50	1450	1300	1200	450	500	900	80	610	650	1000	70	950	150
TCVP 716	132	4.00	930	1350	1270	500	600	1000	80	710	750	1100	70	1050	150
TCVP 714	160	11.00	1450	1350	1270	500	600	1000	80	710	750	1100	70	1050	180
TCVP 806	160	7.50	930	1600	1500	520	700	1300	80	810	850	1200	70	1150	220

**Notes:**

\*Weights are variable according to the motorization (without ancillaries).