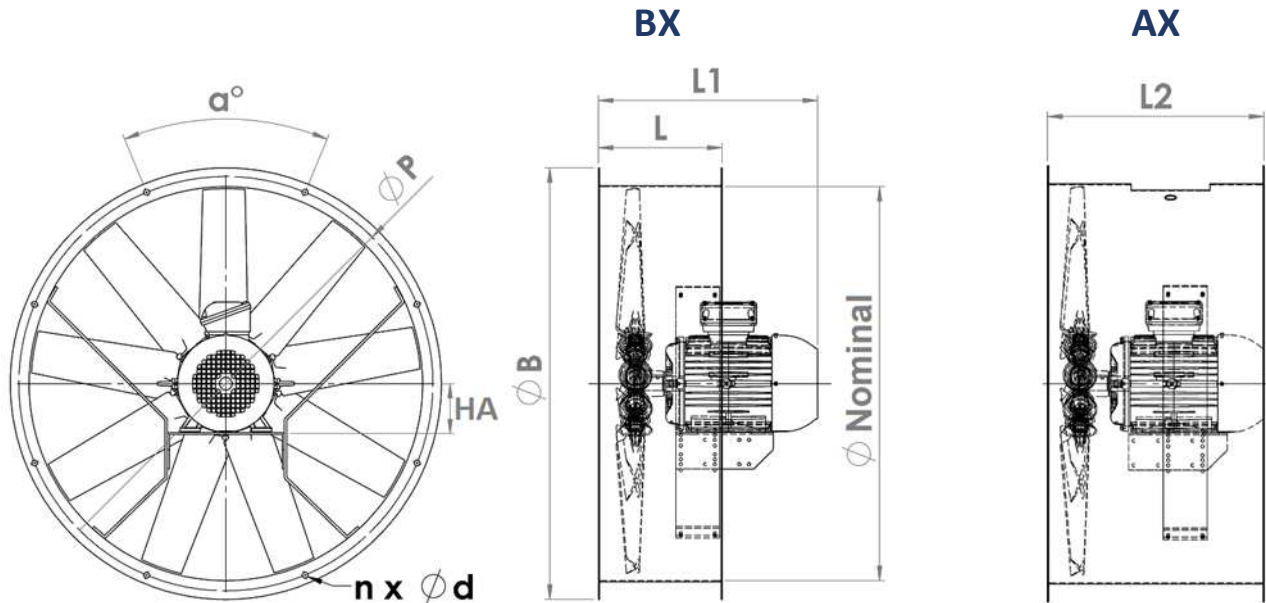




# AX / BX DIMENSIONS

AX (long casing) - BX (short casing)



Nominal $\varnothing$ mm	HA mm	L mm	L2 mm	B mm	n	$\alpha$ °	d mm	P mm	AX weight* kg	BX weight* kg
250	56-71	235	350	330	6	60	9	300	13	11
315	56-80	254	350	385	6	60	12	351	24	22
350	63-90	254	350	425	6	60	12	390	29	27
400	63-100	254	440	470	6	60	12	440	41	37
450	63-112	254	440	520	6	60	12	490	58	54
500	63-112	254	440	572	6	60	12	540	59	55
	132	425	600						98	92
560	71-112	254	440	626	6	60	12	594	62	57
	132	425	600						101	95
630	63-112	254	440	704	6	60	12	670	65	59
	132	425	600						105	99
	160	425	675						139	133
710	80-112	254	440	780	6	60	12	744	69	62
	132-160	425	675						142	135
800	80-112	254	440	885	8	45	12	850	72	65
	132-160	425	675						177	163
	180	425	800						184	170
900	90-160	425	675	990	12	30	15	954	188	171
	180	425	800						231	205
1000	90-160	425	675	1090	12	30	15	1056	206	187
	180	425	800						250	222
	200	600	865						320	294
1120	100-180	465	800	1230	12	30	15	1190	266	237
	200-225	665	1010						524	485
	250-280	800	1010						689	639
1250	100-180	465	800	1375	12	30	15	1320	308	265
	200-225	665	1010						549	506
	250-280	800	1010						950	917
1400	132-180	650	900	1530	12	30	15	1480	348	326
	200-225	650	1010						586	535
	250-280	800	1010						994	957
1600	132-180	650	900	1730	16	22.5	15	1660	398	350
	200-225	650	1010						616	559
	250-280	650	1010						1035	993
1800	160-225	685	1010	1930	24	15	15	1880	560	607
	250-280	800	1010						1089	1042

**Notes:**

L1 is variable depending on the motorization.

The flange drill holes are AREM type by default. Specify when ordering if your requirement is for the Eurovent standard.

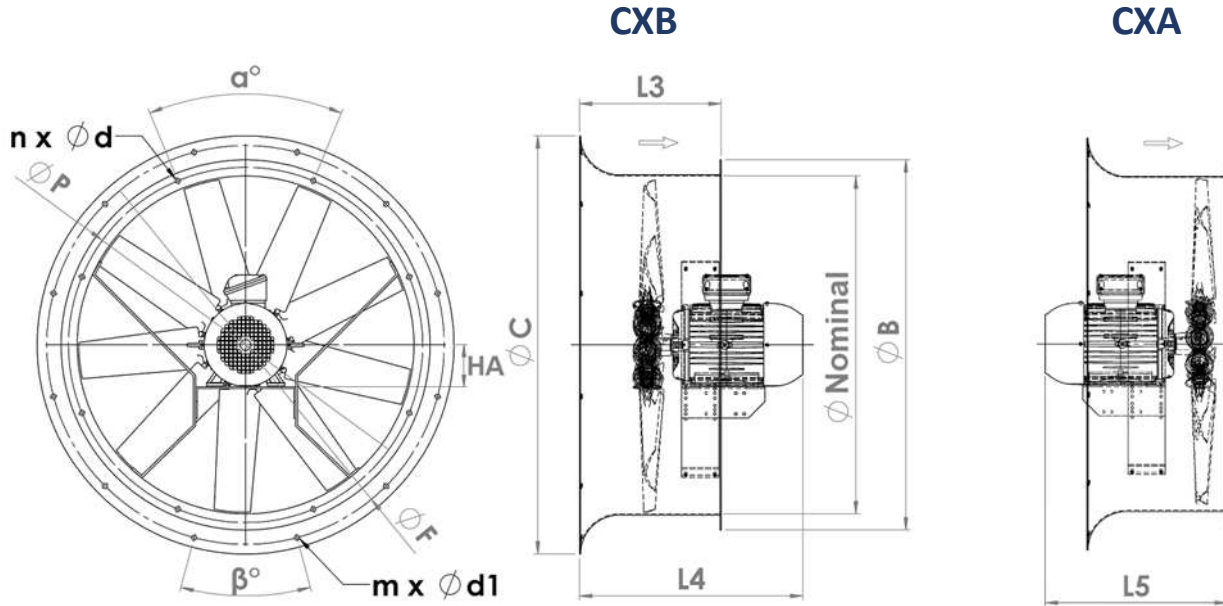
\*Weights are provided for information only and include the motor weights of the maximum power (without ancillaries).

For diameters greater than 1800mm, contact us.



# CX DIMENSIONS

CX (casing with inlet bellmouth)



Nominal Ø mm	HA mm	L3 mm	B mm	n -	α °	d mm	P mm	C mm	m -	β °	d1 mm	F mm	CX weight* kg
250	56-71	-	330	6	60	9	300	-	-	-	-	-	-
315	56-80	-	385	6	60	12	351	-	-	-	-	-	-
350	63-90	-	425	6	60	12	390	-	-	-	-	-	-
400	63-100	330	470	6	60	12	440	530	6	60	12	490	47
450	63-112	330	520	6	60	12	490	580	6	60	12	540	60
500	63-112 132	330 425	572	6	60	12	540	685	6	60	12	642	61 101
560	71-112 132	330 425	626	6	60	12	594	715	6	60	12	670	65 105
630	63-112 132 160	330 500 500	704	6	60	12	670	790	6	60	12	744	71 113 147
710	80-112 132-160	330 500	780	6	60	12	744	900	8	45	12	850	77 150
800	80-112 132-160 180	340 565 565	885	8	45	12	850	1000	12	30	12	954	80 185 195
900	90-160 180	565 565	990	12	30	15	954	1100	12	30	15	1056	198 241
1000	90-160 180 200	565 565 675	1090	12	30	15	1056	1230	12	30	15	1190	216 255 340
1120	100-180 200-225 250-280	565 750 1110	1230	12	30	15	1190	1360	12	30	15	1320	286 554 719
1250	100-180 200-225 250-280	565 750 1110	1375	12	30	15	1320	1520	12	30	15	1480	338 579 980
1400	132-180 200-225 250-280	750 750 1110	1530	12	30	15	1480	1600	16	22.5	15	1560	388 626 1034
1600	132-180 200-225 250-280	750 750 1110	1730	16	22.5	15	1660	1810	16	22.5	15	1756	438 656 1075
1800	160-225 250-280	750 1110	1930	24	15	15	1880	2030	24	15	18	1980	605 1139

**Notes:**

L4 and L5 are variable depending on the motorization.

The flange drill holes are AREM type by default. Specify when ordering if your requirement is for the Eurovent standard.

\*Weights are provided for information only and include the motor weights of the maximum power (without ancillaries).

For diameters greater than 1800mm, contact us.