


VP SERIE – BACKWARD CURVED BLADES


Common operating range

- FLOW RATE (m³/h)**

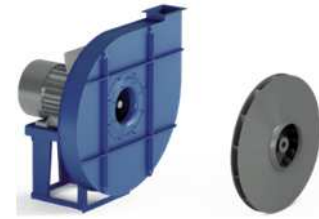


Low		Medium		High	
140	2000	5000	22000	X	X

- TOTAL PRESSURE (Pa)**



Low		Medium		High	
X	X	X	X	1000	30000



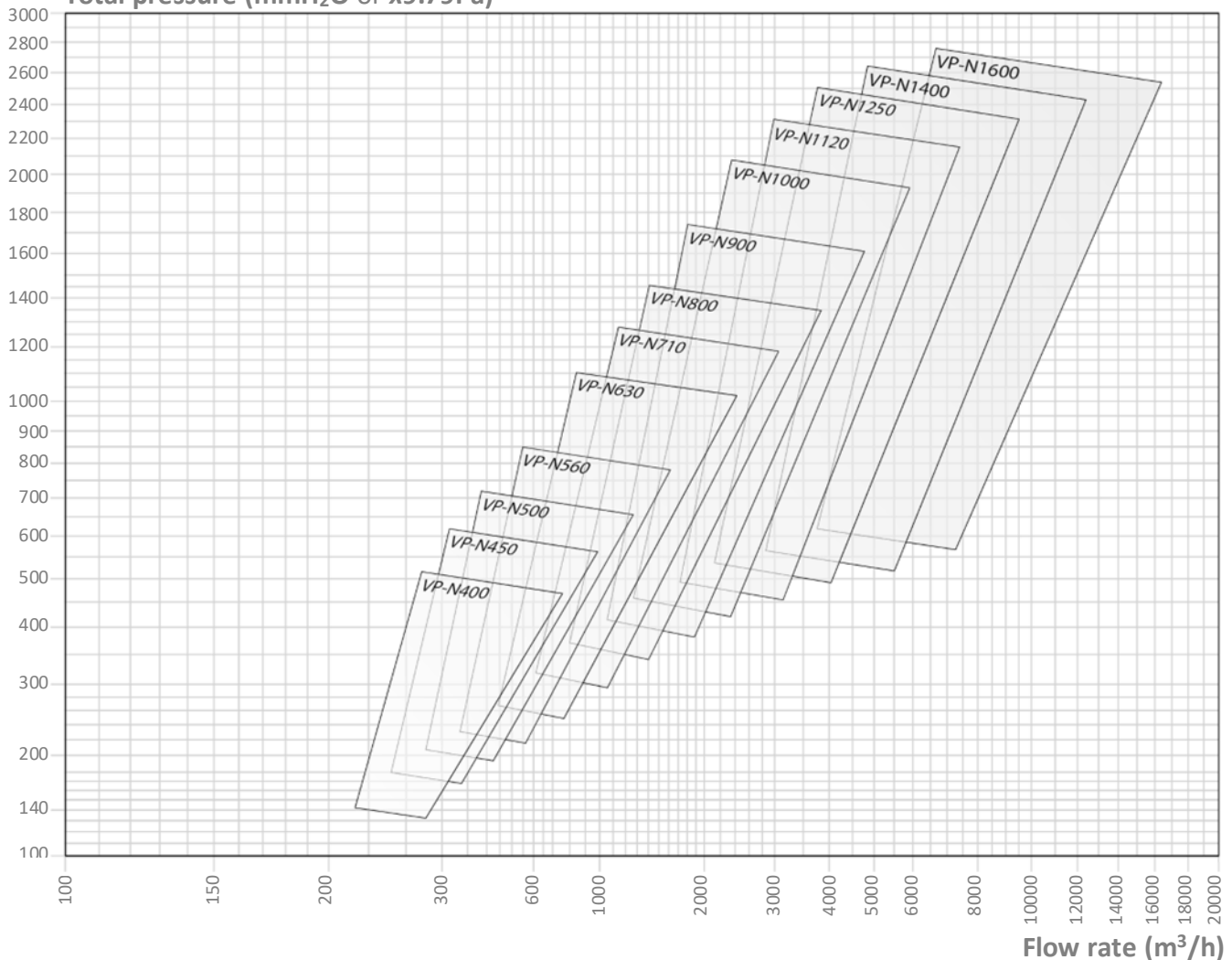
Recommended

To avoid

- APPLICATION**

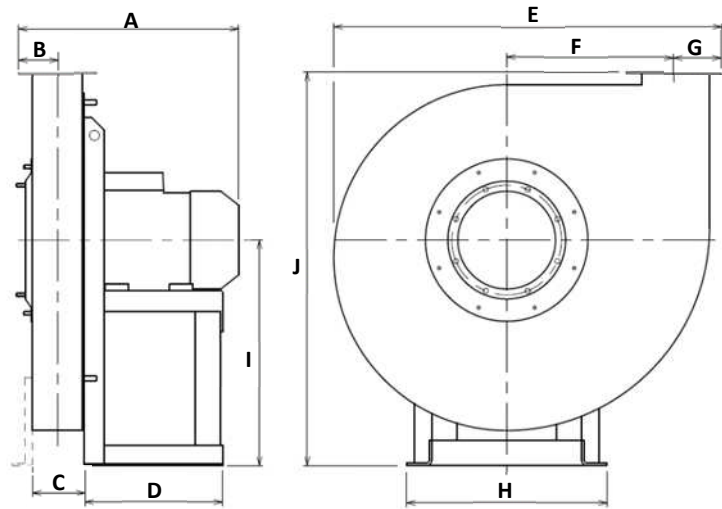
Domain	Industry	General	Chemical	Process	Other
	<i>Pneumatic Pressurization Drying</i>	<i>Medium flow High pressure</i>	<i>Ovens Chemical</i>	<i>Foundry Pulp and paper mills</i>	<i>Consult us</i>
Dust level	Clean <i>Air, steam</i>		Medium <i>Air, steam</i>		High <i>X</i>
Solid matter	Low <i>X</i>		Medium <i>X</i>		High <i>X</i>
Filamentary material	Low <i>X</i>		Medium <i>X</i>		High <i>X</i>

Total pressure (mmH₂O or x9.79Pa)



VP DIMENSIONS

General dimensions



VP...	No. of poles	HA* mm	Inst. P kW	Mot. V rpm	Weight ** kg	A*** mm	B mm	C mm	D mm	E mm	F mm	G mm	H mm	I mm	J mm
VP400	/2	71	0.55	2845	51	344	69	84	196	632	267	83	225	375	655
VP400	/2	80	0.75	2845	55	344	69	84	217	632	267	83	225	375	655
VP450	/2	80	1.10	2845	61	353	73	94	217	700	298	89	225	400	700
VP450	/2	90	1.50	2860	67	400	73	94	251	700	298	89	260	400	700
VP500	/2R	90	1.50	2860	71	410	78	104	251	775	334	96	260	450	785
VP500	/2	90	2.20	2920	75	410	78	104	251	775	334	96	260	450	785
VP560	/2R	90	2.20	2920	86	426	88	116	251	877	379	108	260	500	875
VP560	/2R	100	3.00	2920	98	457	88	116	285	877	379	108	324	500	875
VP560	/2	100	3.00	2920	99	457	88	116	285	877	379	108	324	500	875
VP560	/2	112	4.00	2950	107	478	88	116	285	877	379	108	324	500	875
VP630	/2R	112	4.00	2950	131	490	94	128	285	985	427	118	324	560	985
VP630	/2R	132	5.50	2950	143	530	94	128	345	985	427	118	372	560	985
VP630	/2	132	5.50	2950	145	530	94	128	345	985	427	118	372	560	985
VP630	/2	132	7.50	2950	145	530	94	128	345	985	427	118	372	560	985
VP710	/2R	132	7.50	2950	205	545	101	144	345	1098	478	128	372	630	1105
VP710	/2R	160	11.00	2960	218	650	101	144	436	1098	478	128	440	630	1105
VP710	/2	160	11.00	2960	222	650	101	144	436	1098	478	128	440	630	1105
VP710	/2	160	15.00	2960	222	650	101	144	436	1098	478	128	440	630	1105
VP800	/2R	160	15.00	2960	256	667	110	160	436	1232	539	139	440	710	1240
VP800	/2R	160	18.50	2960	268	667	110	160	436	1232	539	139	440	710	1240
VP800	/2	160	18.50	2960	280	667	110	160	436	1232	539	139	440	710	1240
VP800	/2	180	22.00	2960	336	748	110	160	460	1232	539	139	488	710	1240
VP900	/2R	180	22.00	2960	416	766	119	178	460	1386	608	151	488	800	1400
VP900	/2R	200	30.00	2960	442	874	119	178	500	1386	608	151	568	800	1400
VP900	/2	200	30.00	2960	508	874	119	178	500	1386	608	151	568	800	1400
VP900	/2	200	37.00	2960	508	874	119	178	500	1386	608	151	568	800	1400
VP1000	/2R	225	45.00	2960	680	935	128	198	540	1535	681	164	616	900	1570
VP1000	/2R	250	55.00	2960	765	1043	128	198	600	1535	681	164	690	900	1570
VP1000	/2	250	55.00	2960	780	1043	128	198	600	1535	681	164	690	900	1570
VP1000	/2	280	75.00	2970	924	1046	128	198	697	1535	681	164	750	900	1570
VP1120	/2R	280	75.00	2970	1085	1073	143	222	697	1720	766	184	750	1000	1750
VP1120	/2R	280	90.00	2970	1050	1073	143	222	697	1720	766	184	750	1000	1750
VP1120	/2	280	90.00	2970	1090	1073	143	222	697	1720	766	184	750	1000	1750
VP1120	/2	315	110.00	2980	1270	1285	143	222	800	1720	766	184	865	1000	1750

Notes:

(*) HA is the motor frame size.

(**) Due to multiple sourcing of motors, there may be weight differences (motor in cast iron or aluminium, single-speed or dual-speed, etc.)

(***) A is variable depending on the motorization.

For diameters greater than 1120mm, contact us.