


VM SERIE – BACKWARD CURVED BLADES


Common operating range

- FLOW RATE (m³/h)**

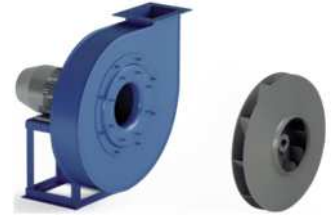


Low		Medium		High	
360	5000	20000	110000	X	X

- TOTAL PRESSURE (Pa)**



Low		Medium		High	
X	X	X	X	1000	22000



Recommended

To avoid

- APPLICATION**

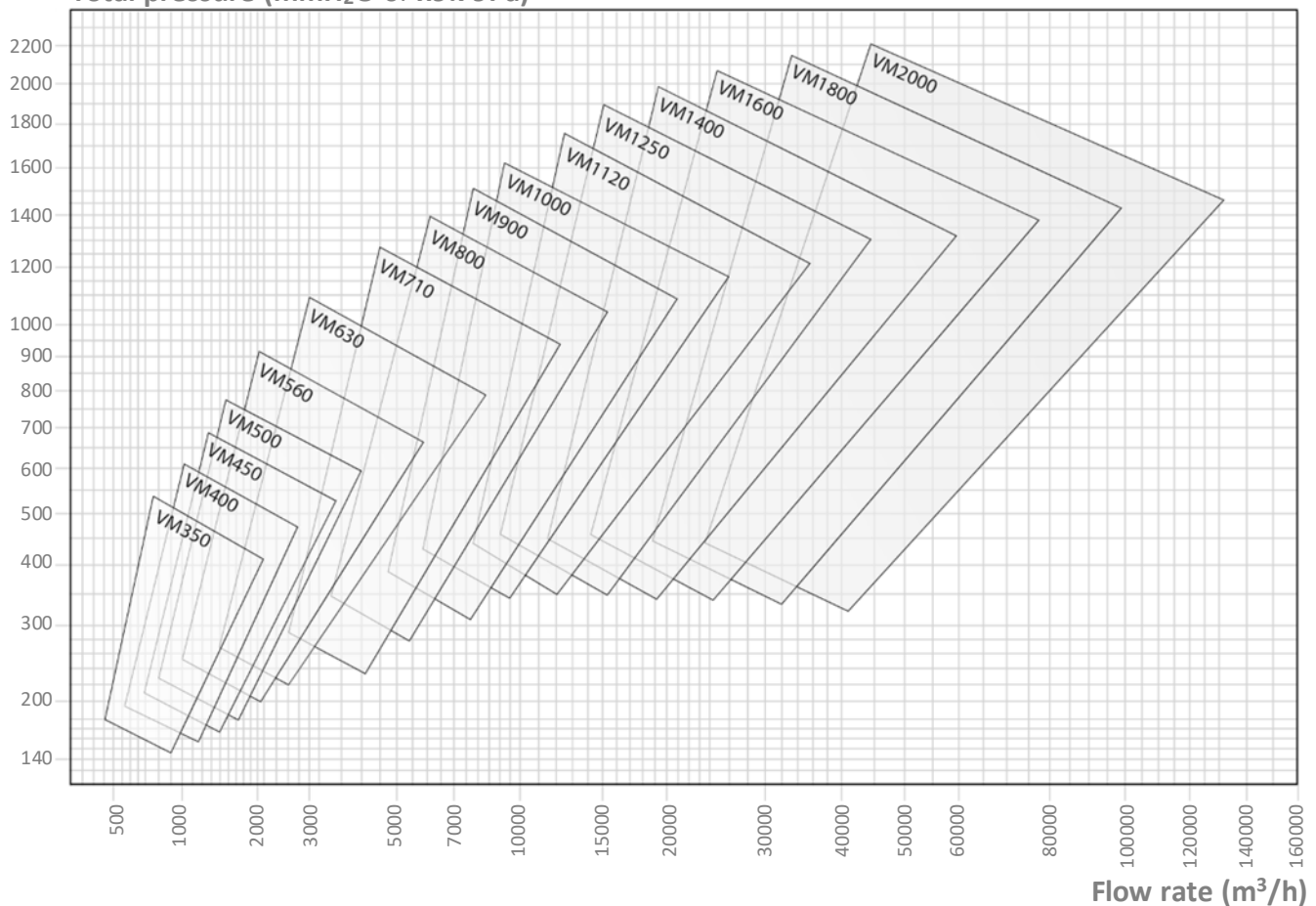
Domain	Industry	General	Chemical	Process	Other
	<i>Pneumatic Smoke</i>	<i>Medium flow High pressure</i>	<i>Medium flow High pressure</i>	<i>Medium flow High pressure</i>	<i>Medium flow High pressure</i>

Dust level	Clean	Medium	High
	<i>Air, steam</i>	<i>Air, steam</i>	<i>Air, steam</i>

Solid matter	Low	Medium	High
	<i>Wood shavings, saw dust</i>	<i>Wood shavings, saw dust</i>	X

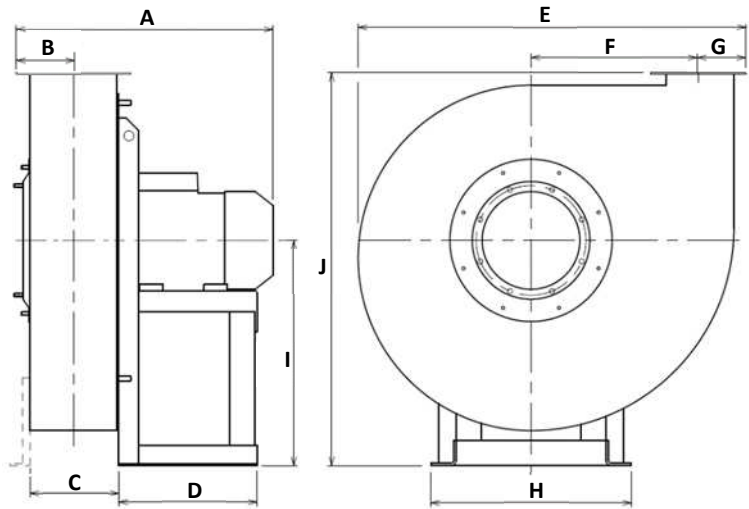
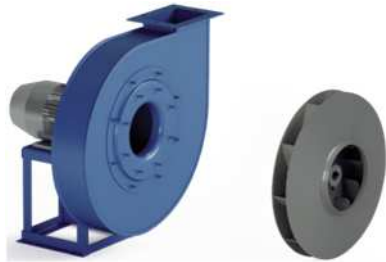
Filamentary material	Low	Medium	High
	X	X	X

Total pressure (mmH₂O or x9.79Pa)



VM DIMENSIONS

General dimensions



VM...	No. of poles	HA* mm	Inst. P kW	Mot. V rpm	Weight ** kg	A*** mm	B mm	C mm	D mm	E mm	F mm	G mm	H mm	I mm	J mm
VM710	/4R	112	4.00	1440	194	583	143	216	285	1103	426	184	324	630	1105
VM710	/4	132	5.50	1455	211	623	143	216	345	1103	426	184	372	630	1105
VM800	/4R	132	7.50	1455	255	648	155	242	336	1237	481	201	372	710	1240
VM800	/4	160	11.00	1460	286	753	155	242	436	1237	481	201	440	710	1240
VM900	/4R	160	11.00	1460	380	780	169	268	436	1390	542	221	440	800	1400
VM900	/4	160	15.00	1460	401	780	169	268	436	1390	542	221	440	800	1400
VM1000	/4R	180	18.50	1460	620	893	184	300	460	1540	607	242	488	900	1570
VM1000	/4	180	22.00	1465	640	944	184	300	460	1540	607	242	488	900	1570
VM350	/2R	80	0.75	2840	35	377	88	112	217	585	215	108	225	355	605
VM350	/2	80	1.10	2845	36	377	88	112	217	585	215	108	225	355	605
VM400	/2R	90	1.50	2860	46	437	94	126	251	640	238	118	260	375	655
VM400	/2	90	2.20	2920	50	437	94	126	251	640	238	118	260	375	655
VM450	/2R	100	3.00	2920	60	482	101	140	285	705	265	128	324	400	700
VM450	/2	112	4.00	2920	80	503	101	140	285	705	265	128	324	400	700
VM500	/2R	112	4.00	2920	92	520	110	156	285	780	297	139	324	450	785
VM500	/2	132	5.50	2920	107	560	110	156	345	780	297	139	372	450	785
VM560	/2R	132	7.50	2940	122	579	119	176	345	880	337	151	372	500	875
VM560	/2	160	11.00	2940	163	684	119	176	446	880	337	151	440	500	875
VM630	/2R	160	15.00	2940	175	703	128	196	446	985	381	164	440	560	985
VM630	/2	160	18.50	2940	193	703	128	196	446	985	381	164	440	560	985
VM710	/2R	180	22.00	2940	300	809	143	216	460	1103	426	184	488	630	1105
VM710	/2	200	30.00	2945	390	917	143	216	500	1103	426	184	568	630	1105
VM710	/2	200	37.00	2945	390	917	143	216	500	1103	426	184	568	630	1105
VM800	/2R	225	45.00	2945	526	984	155	242	540	1237	481	201	616	710	1240
VM800	/2	250	55.00	2960	664	1092	155	242	600	1237	481	201	690	710	1240
VM800	/2	280	75.00	2960	794	1095	155	242	697	1237	481	201	750	710	1240
VM900	/2R	280	75.00	2960	926	1122	169	268	697	1390	542	221	750	800	1400
VM900	/2	280	90.00	2960	969	1122	169	268	697	1390	542	221	750	800	1400
VM900	/2	315	110.00	2960	1109	1334	169	268	800	1390	542	221	865	800	1400
VM1000	/2R	315	110.00	2960	1240	1366	184	300	800	1540	607	242	865	900	1570
VM1000	/2R	315	132.00	2960	1400	1366	184	300	800	1540	607	242	865	900	1570
VM1000	/2	315	160.00	2960	1460	1366	184	300	800	1540	607	242	865	900	1570
VM1000	/2	315	200.00	2960	1660	1366	184	300	800	1540	607	242	865	900	1570

Notes:

(*) HA is the motor frame size.

(**) Due to multiple sourcing of motors, there may be weight differences (motor in cast iron or aluminium, single-speed or dual-speed, etc.)

(***) A is variable depending on the motorization.

For diameters greater than 1000mm, contact us.