


# RM SERIE – BACKWARD CURVED BLADES


Common operating range

- **FLOW RATE (m<sup>3</sup>/h)**

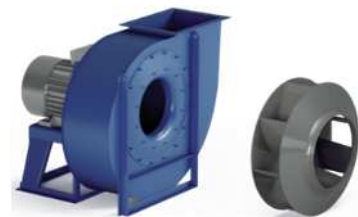


Low		Medium		High	
360	10000	15000	60000	80000	180000

- **TOTAL PRESSURE (Pa)**



Low		Medium		High	
500	1000	2000	5500	X	X



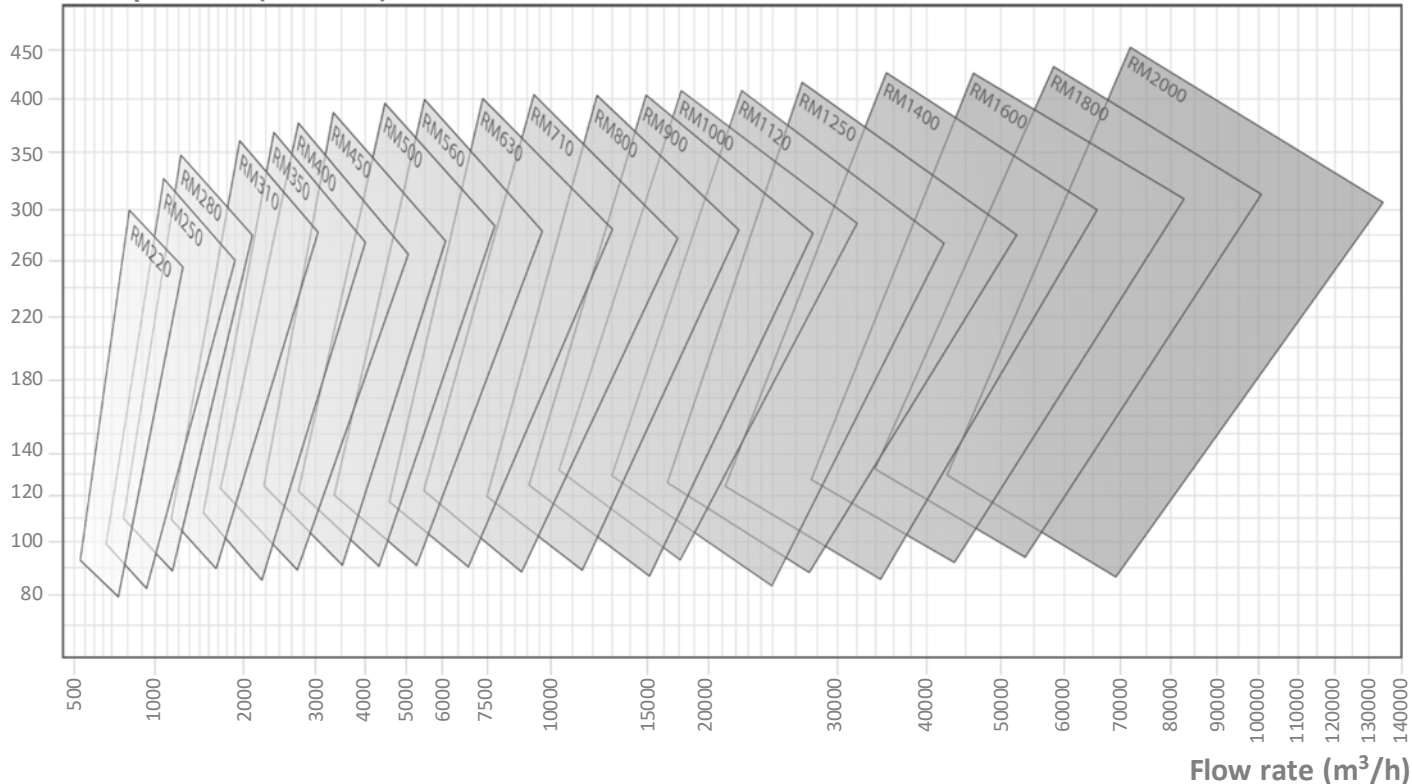
Recommended

To avoid

- **APPLICATION**

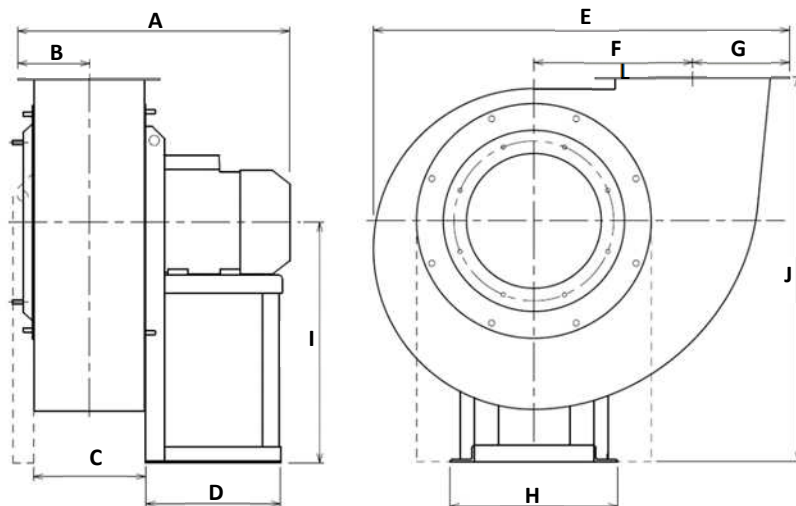
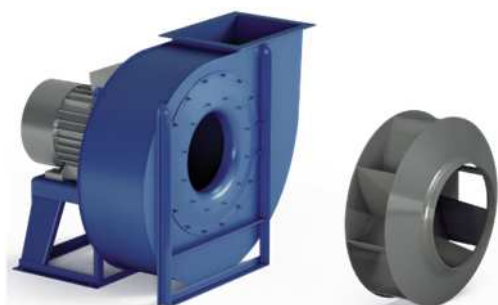
	Industry	General	Chemical	Process	Other
Domain	High flow Medium pressure	High flow Medium pressure	High flow Medium pressure	High flow Medium pressure	Consult us
Dust level	Clean Air, steam	Medium Air, steam	High Air, steam		
Solid matter	Low Saw dust, wood shavings, pellets	Medium Saw dust, wood shavings, pellets	High X		
Filamentary material	Low X	Medium X	High X		

Total pressure (mm H<sub>2</sub>O)



# RM DIMENSIONS

## General dimensions



RM...	No. of poles	HA* mm	Inst. P kW	Mot. V rpm	Weight ** kg	A*** mm	B mm	C mm	D mm	E mm	F mm	G mm	H mm	I mm	J mm
RM500	/4	90	1.50	1420	106	613	184	296	251	997	355	242	260	600	960
RM560	/4	100	3.00	1420	136	691	202	330	281	1141	390	267	324	670	1070
RM630	/4R	112	4.00	1440	190	752	221	370	281	1282	439	294	324	750	1200
RM630	/4	132	5.50	1460	205	792	221	370	341	1282	439	294	372	750	1200
RM710	/4R	132	7.50	1460	287	837	253	404	336	1399	500	335	826	670	1170
RM710	/4	160	11.00	1460	338	942	253	404	436	1399	500	335	826	670	1170
RM800	/4R	160	15.00	1460	504	1011	277	452	436	1570	560	369	926	755	1315
RM800	/4	180	18.50	1460	512	1092	277	452	460	1570	560	369	926	755	1315
RM900	/4R	200	30.00	1465	684	1254	304	506	500	1758	630	408	1026	850	1480
RM900	/4	225	37.00	1470	767	1236	304	506	540	1758	630	408	1026	850	1480
RM1000	/4R	225	45.00	1470	963	1378	345	568	540	1984	710	461	1128	950	1660
RM1000	/4	250	55.00	1485	1081	1486	345	568	600	1984	710	461	1128	950	1660
RM1120	/4R	280	75.00	1490	1445	1558	379	638	690	2241	800	509	1268	1060	1860
RM1120	/4	280	90.00	1490	1486	1558	379	638	690	2241	800	509	1268	1060	1860
RM800	/6R	132	4.00	955	391	906	277	452	336	1570	560	369	926	755	1315
RM800	/6	132	5.50	960	395	906	277	452	336	1570	560	369	926	755	1315
RM900	/6R	160	7.50	970	511	1065	304	506	436	1758	630	408	1026	850	1480
RM900	/6	160	11.00	970	531	1065	304	506	436	1758	630	408	1026	850	1480
RM1000	/6R	180	15.00	980	743	1279	345	568	460	1984	710	461	1128	950	1660
RM1000	/6	200	18.50	985	850	1336	345	568	500	1984	710	461	1128	950	1660
RM1120	/6R	200	22.00	985	955	1405	379	638	500	2241	800	509	1268	1060	1860
RM1120	/6	225	30.00	985	1156	1447	379	638	540	2241	800	509	1268	1060	1860
RM1250	/6R	250	37.00	990	1430	1632	418	716	600	2511	900	564	1400	1190	2090
RM1250	/6	280	45.00	990	1915	1635	418	716	690	2511	900	564	1400	1190	2090
RM1400	/6R	280	55.00	990	1850	1751	471	802	690	2780	1000	635	1560	1320	2320
RM1400	/6	315	75.00	995	2366	1963	471	802	800	2780	1000	635	1560	1320	2320
RM250	/2	71	0.37	2820	26	396	110	154	195	525	175	139	225	315	510
RM280	/2	80	0.75	2850	35	438	119	172	217	583	202	151	225	375	575
RM310	/2	90	1.50	2920	45	505	128	192	251	649	229	164	260	400	625
RM350	/2	90	2.20	2920	70	530	143	212	251	725	253	184	260	450	705
RM400	/2	112	4.00	2940	93	606	155	236	285	798	286	201	324	500	785
RM450	/2R	132	5.50	2940	115	673	169	264	345	895	321	221	372	560	880
RM450	/2	132	7.50	2940	118	673	169	264	345	895	321	221	372	560	880
RM500	/2R	160	11.00	2950	175	810	184	296	446	997	355	242	440	600	960
RM500	/2	160	15.00	2950	180	810	184	296	446	997	355	242	440	600	960
RM560	/2R	180	18.50	2960	220	857	202	330	441	1141	390	267	440	670	1070
RM560	/2	180	22.00	2960	276	938	202	330	465	1141	390	267	488	670	1070

**Notes:**

(\*) HA is the motor frame size.

(\*\*) Due to multiple sourcing of motors, there may be weight differences (motor in cast iron or aluminium, single-speed or dual-speed, etc.)

(\*\*\*) A is variable depending on the motorization.

For diameters greater than 1400mm, contact us.