


RH SERIE – BACKWARD CURVED BLADES


Common operating range

- FLOW RATE (m³/h)**

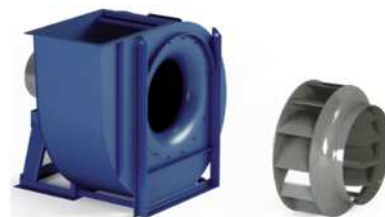


Low		Medium		High	
X	X	1800	80000	140000	288000

- TOTAL PRESSURE (Pa)**



Low		Medium		High	
X	X	600	5200	X	X



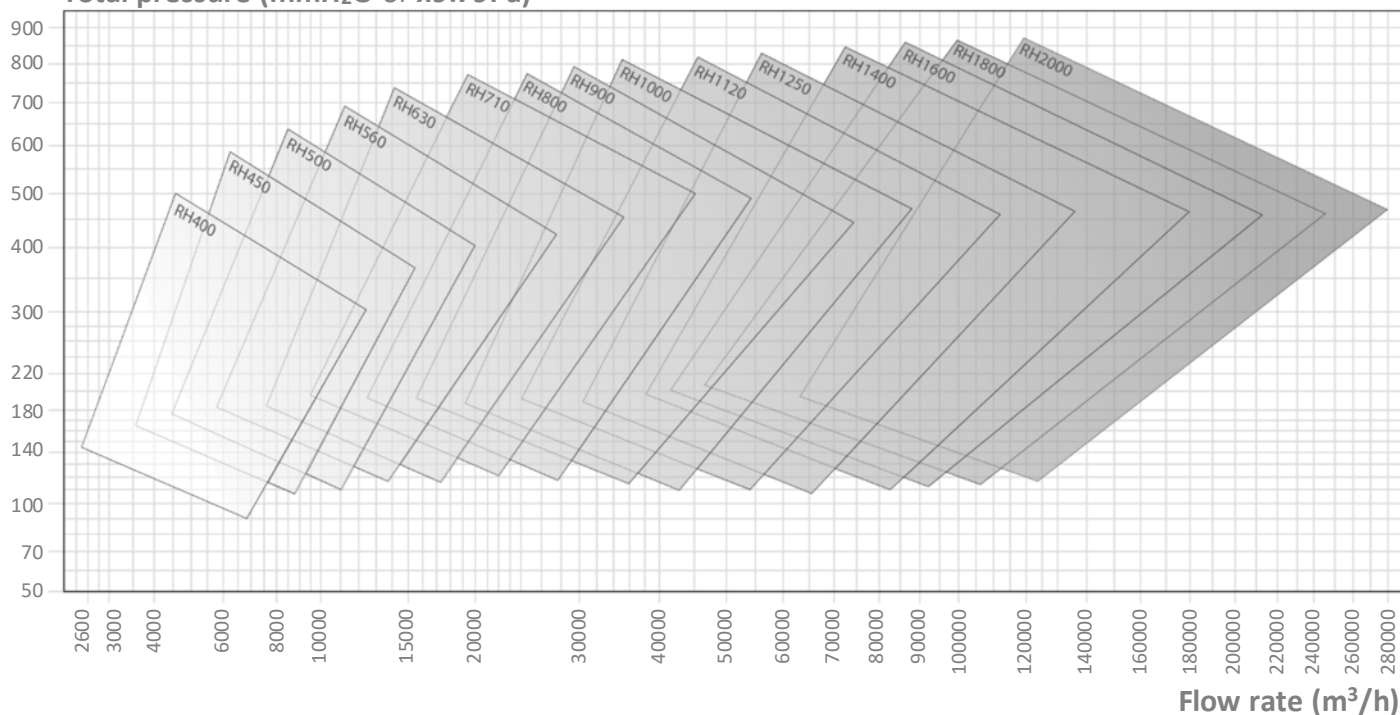
Recommended

To avoid

- APPLICATION**

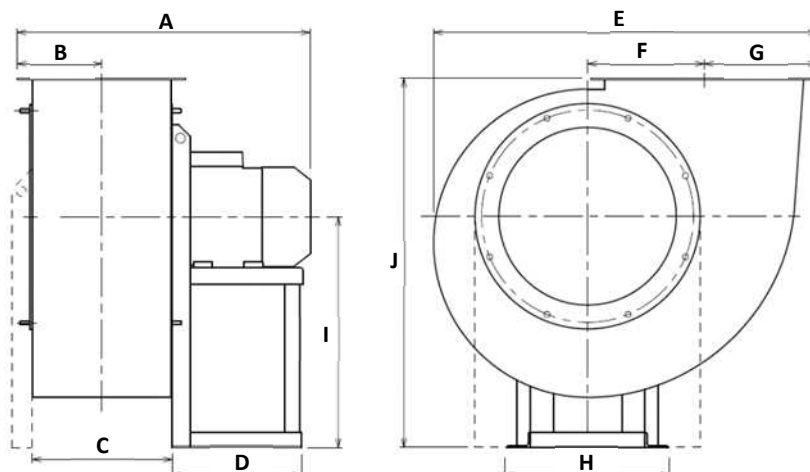
Domain	Industry	General	Chemical	Process	Other
	High flow Medium pressure	High flow Medium pressure	High flow Medium pressure	High flow Medium pressure	High flow Medium pressure
Dust level	Clean Air, steam	Medium	High		X
Solid matter	Low X	Medium X	High X		
Filamentary material	Low X	Medium X	High X		

Total pressure (mmH₂O or x9.79Pa)



RH DIMENSIONS

General dimensions



RH...	No. of poles	HA* mm	Inst. P kW	Mot. V rpm	Weight ** kg	A*** mm	B mm	C mm	D mm	E mm	F mm	G mm	H mm	I mm	J mm
RH630	/4R	112	4.00	1455	180	845	277	464	280	1282	373	369	324	750	1200
RH630	/4	132	5.50	1455	202	885	277	464	340	1282	373	369	372	750	1200
RH710	/4R	132	7.50	1460	286	940	304	508	336	1402	427	408	826	670	1170
RH710	/4	160	11.00	1460	315	1045	304	508	439	1402	427	408	826	670	1170
RH800	/4R	160	15.00	1460	409	1107	345	570	439	1590	478	461	926	755	1315
RH800	/4	180	18.50	1460	465	1188	345	570	460	1590	478	461	926	755	1315
RH900	/4R	200	30.00	1470	790	1385	379	638	500	1770	538	509	1026	850	1480
RH900	/4	225	37.00	1470	840	1367	379	638	540	1770	538	509	1026	850	1480
RH1000	/4R	225	45.00	1470	1020	1464	418	716	540	1985	607	564	1128	950	1660
RH1000	/4	250	55.00	1470	1105	1632	418	716	600	1985	607	564	1128	950	1660
RH1120	/4R	280	75.00	1480	1293	1722	471	802	690	2251	684	635	1286	1060	1860
RH1120	/4	315	110.00	1480	1493	1934	471	802	800	2251	684	635	1268	1060	1860
RH1250	/4R	315	160.00	1480	2110	2030	520	898	800	2521	770	704	1400	1190	2090
RH1250	/4	315	200.00	1480	2315	2030	520	898	800	2521	770	704	1400	1190	2090
RH900	/6R	160	7.50	970	544	1196	379	638	436	1770	538	509	1026	850	1480
RH900	/6	160	11.00	970	556	1196	379	638	436	1770	538	509	1026	850	1480
RH1000	/6R	180	15.00	975	811	1374	418	716	460	1985	607	564	1128	950	1660
RH1000	/6	200	18.50	975	885	1482	418	716	500	1985	607	564	1128	950	1660
RH1120	/6R	200	22.00	975	998	1569	471	802	500	2251	684	635	1268	1060	1860
RH1120	/6	225	30.00	980	1153	1611	471	802	540	2251	684	635	1268	1060	1860
RH1250	/6R	280	45.00	985	1699	1818	520	898	690	2521	770	704	1400	1190	2090
RH1250	/6	280	55.00	985	1739	1818	520	898	690	2521	770	704	1400	1190	2090
RH400	/2	112	4.00	2940	106	665	184	294	285	798	245	242	324	500	785
RH450	/2R	132	7.50	2950	124	751	202	330	345	895	275	267	372	560	880
RH450	/2	160	11.00	2955	161	860	202	330	446	895	275	267	440	560	880
RH500	/2R	160	11.00	2955	187	913	221	370	446	997	303	294	440	600	960
RH500	/2	160	15.00	2960	199	913	221	370	446	997	303	294	440	600	960
RH560	/2R	180	22.00	2960	273	1072	253	414	464	1151	332	335	464	670	1070
RH560	/2	200	30.00	2960	353	1129	253	414	500	1151	332	335	568	670	1070
RH630	/2R	200	37.00	2960	387	1179	277	464	509	1282	373	369	568	750	1200
RH630	/2	225	45.00	2960	471	1221	277	464	540	1282	373	369	616	750	1200
RH710	/2R	250	55.00	2960	630	1384	304	508	600	1402	427	408	826	670	1170
RH710	/2	280	75.00	2960	762	1387	304	508	690	1402	427	408	826	670	1170
RH800	/2R	315	110.00	2970	1047	1561	345	570	800	1590	478	461	926	755	1315
RH800	/2	315	132.00	2970	1209	1661	345	570	800	1590	478	461	926	755	1315

Notes:

(*) HA is the motor frame size.

(**) Due to multiple sourcing of motors, there may be weight differences (motor in cast iron or aluminium, single-speed or dual-speed, etc.)

(***) A is variable depending on the motorization.

For diameters greater than 1250mm, contact us.