


GR SERIE – BACKWARD CURVED BLADES


Common operating range

- FLOW RATE (m³/h)**

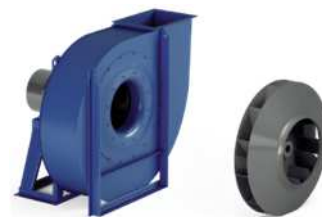


Low		Medium		High	
1500	10000	15000	45000	70000	140000

- TOTAL PRESSURE (Pa)**



Low		Medium		High	
1500	4000	6000	11000	X	X



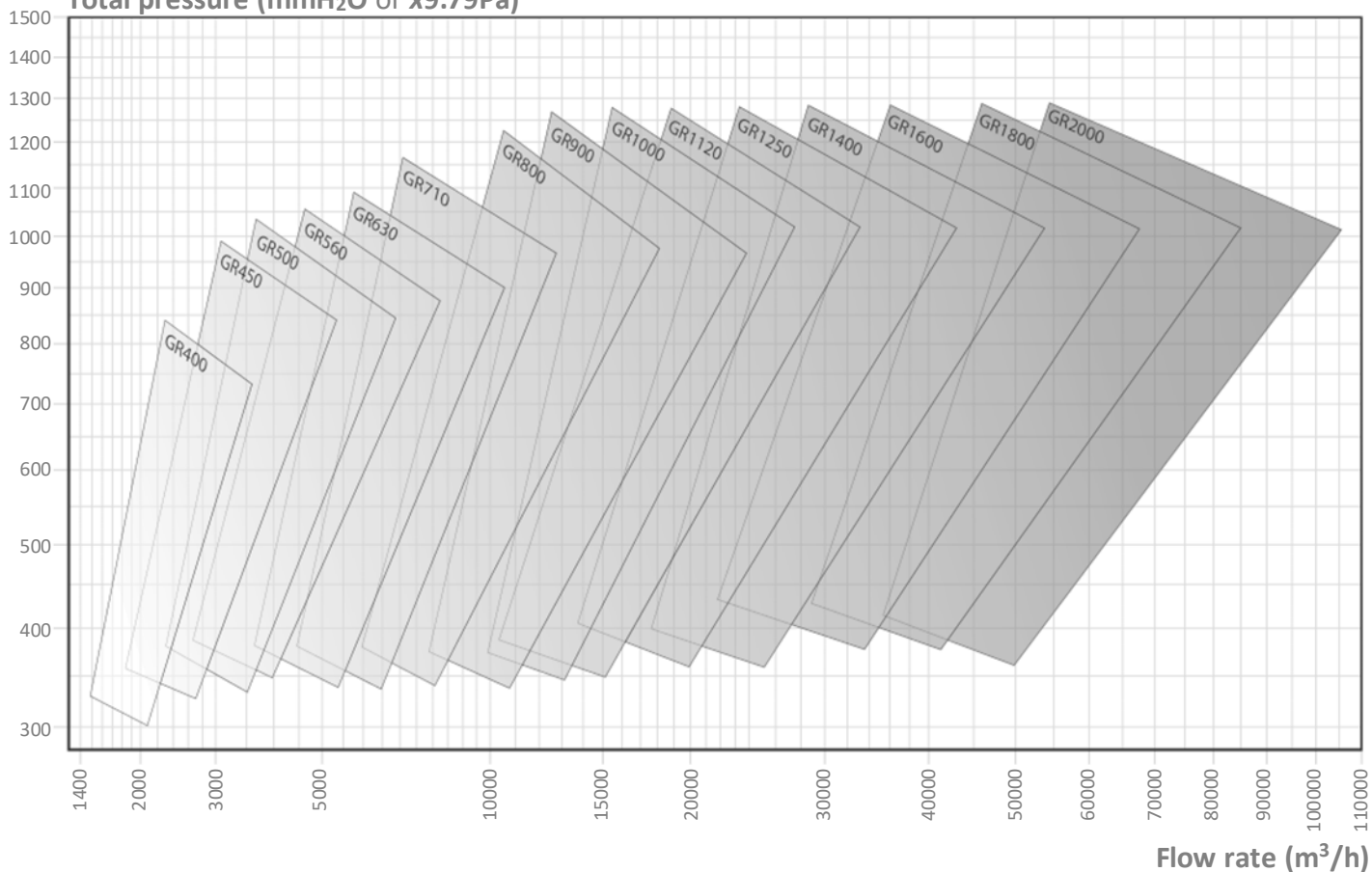
Recommended

To avoid

- APPLICATION**

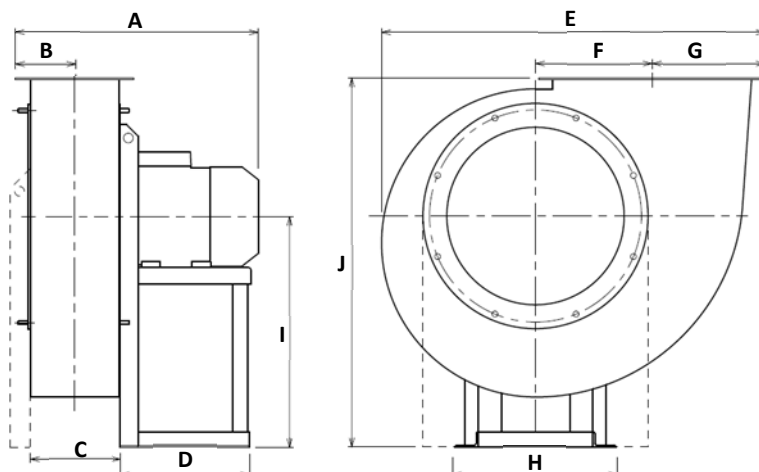
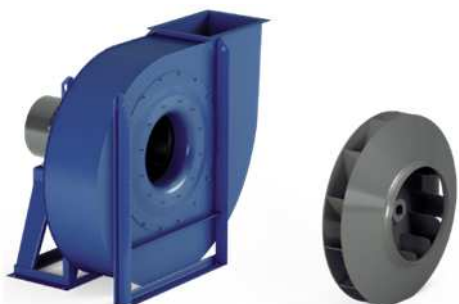
Domain	Industry	General	Chemical	Process	Other
	<i>Pneumatic Smoke</i>	<i>High flow Medium pressure</i>	<i>High flow Medium pressure</i>	<i>High flow Medium pressure</i>	<i>High flow Medium pressure</i>
Dust level	Clean <i>Air, steam</i>	Medium <i>Fine dust</i>	High <i>X</i>		
Solid matter	Low <i>X</i>	Medium <i>Wood shavings, saw dust</i>	High <i>X</i>		
Filamentary material	Low <i>X</i>	Medium <i>X</i>	High <i>X</i>		

Total pressure (mmH₂O or x9.79Pa)



GR DIMENSIONS

General dimensions



GR...	No. of poles	HA* mm	Inst. P kW	Mot. V rpm	Weight ** kg	A*** mm	B mm	C mm	D mm	E mm	F mm	G mm	H mm	I mm	J mm
GR560	/4R	90	1.50	1420	165	595	168	266	251	1141	436	221	260	670	1070
GR560	/4	100	2.20	1420	169	626	168	266	281	1141	436	221	324	670	1070
GR630	/4R	100	3.00	1420	180	657	184	296	281	1272	490	242	324	750	1200
GR630	/4	112	4.00	1440	190	678	184	296	281	1272	490	242	324	750	1200
GR710	/4R	112	4.00	1440	249	715	201	322	277	1402	558	267	826	670	1170
GR710	/4	132	5.50	1445	272	755	201	322	337	1402	558	267	826	670	1170
GR800	/4R	132	7.50	1445	370	813	221	360	336	1590	625	294	926	755	1315
GR800	/4	160	11.00	1460	415	918	221	360	436	1590	625	294	926	755	1315
GR900	/4R	160	15.00	1460	495	962	252	404	436	1758	703	335	1026	850	1480
GR900	/4	180	22.00	1470	576	1094	252	404	460	1758	703	335	1026	850	1480
GR1000	/4R	200	30.00	1470	794	1219	277	452	500	1973	791	369	1128	950	1660
GR1000	/4	225	37.00	1480	893	1252	277	452	540	1973	791	369	1128	950	1660
GR1120	/4R	225	45.00	1480	1032	1315	304	506	540	2232	891	409	1268	1060	1860
GR1120	/4	250	55.00	1480	1132	1423	304	506	600	2232	891	409	1268	1060	1860
GR900	/6R	132	4.00	950	441	857	252	404	336	1758	703	335	1026	850	1480
GR900	/6	132	5.50	950	450	857	252	404	336	1758	703	335	1026	850	1480
GR1000	/6R	160	7.50	960	613	1030	277	452	436	1973	791	369	1128	950	1660
GR1000	/6	160	11.00	960	626	1030	277	452	436	1973	791	369	1128	950	1660
GR1120	/6R	180	15.00	970	836	1216	304	506	460	2232	891	409	1268	1060	1860
GR1120	/6	200	18.50	975	861	1273	304	506	500	2232	891	409	1268	1060	1860
GR1250	/6R	200	22.00	975	900	1335	345	568	500	2511	1003	461	1400	1190	2090
GR1250	/6	225	30.00	975	1287	1377	345	568	540	2511	1003	461	1400	1190	2090
GR400	/2R	90	2.20	2920	73	511	128	194	251	798	319	164	260	500	785
GR400	/2	100	3.00	2930	81	536	128	194	283	798	319	164	324	500	785
GR450	/2R	112	4.00	2930	107	580	143	214	285	895	357	184	324	560	880
GR450	/2	132	5.50	2950	136	622	143	214	345	895	357	184	372	560	880
GR500	/2R	132	7.50	2950	145	640	155	238	345	997	396	201	372	600	960
GR500	/2	160	11.00	2950	210	780	155	238	446	997	396	201	440	600	960
GR560	/2R	160	11.00	2950	227	792	168	266	446	1141	436	221	440	670	1070
GR560	/2	160	15.00	2960	240	792	168	266	446	1141	436	221	440	670	1070
GR630	/2R	180	22.00	2960	315	948	184	296	465	1272	490	242	488	750	1200
GR630	/2	200	30.00	2970	400	1012	184	296	509	1272	490	242	568	750	1200
GR710	/2R	200	37.00	2970	492	1049	201	322	500	1402	558	267	826	670	1170
GR710	/2	225	45.00	2970	602	1091	201	322	540	1402	558	267	826	670	1170
GR800	/2R	280	75.00	2970	800	1370	221	360	690	1590	625	294	926	755	1315
GR800	/2	280	90.00	2970	860	1370	221	360	690	1590	625	294	926	755	1315

Notes:

(*) HA is the motor frame size.

(**) Due to multiple sourcing of motors, there may be weight differences (motor in cast iron or aluminium, single-speed or dual-speed, etc.)

(***) A is variable depending on the motorization.

For diameters greater than 1250mm, contact us.