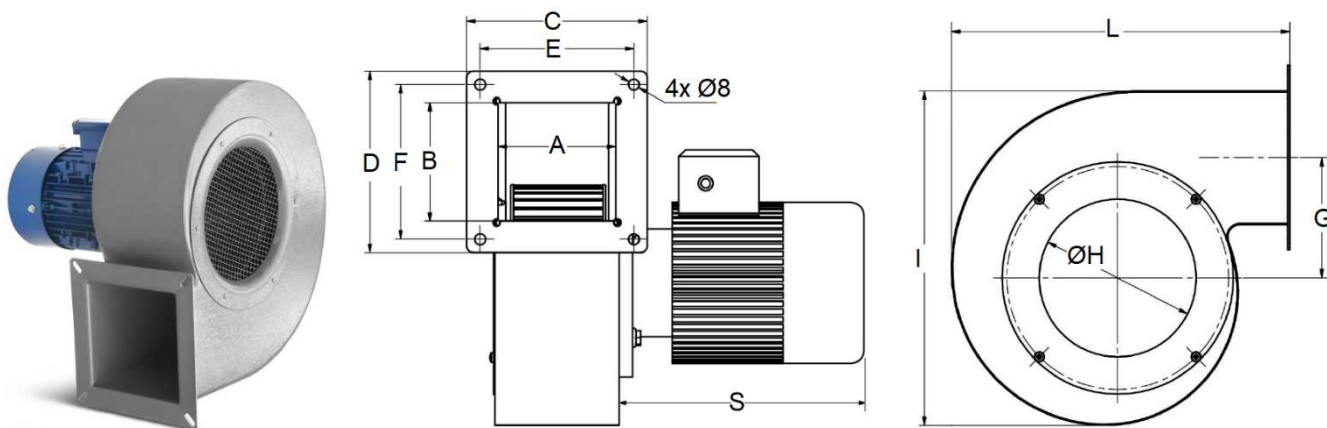


CB – FORWARD CURVED BLADES

Standard range with steel casing

The CB range is designed to transport clean air and smoke up to temperatures of +60°C. The main characteristics of the standard range are:

- Motor speed: available in 2, 4 and 6 poles
- Flow rate: up to 4000m³/h
- Static pressure: up to 1700Pa
- Painted or electro zinc steel casing with inlet safety guard
- Impeller with stapled aluminium blades
- Motor stand: B5 or B35 flange mounting
- Orientation: RD0 to RD315 and LG0 to LG315 in 45° increments



CB...	V. rpm	P. kW	A mm	B mm	C mm	D mm	E mm	F mm	G mm	H mm	I mm	L mm	S mm	Weight kg
CB12	2800	0.09	46	46	92	92	78	78	61	83	159	163	180	4
CB22	2800	0.09	69	63	115	115	95	95	70	83	170	185	180	5
CB32	2800	0.18	90	90	133	133	115	115	65	113	201	208	180	6
CB34	1400	0.18	90	90	133	133	115	115	65	113	201	208	180	6
CB42	2800	0.18	90	90	133	133	115	115	93	113	248	252	180	6
CB44	1400	0.18	90	90	133	133	115	115	93	113	248	252	180	6
CB52	2800	0.37	113	113	160	160	138	138	115	134	300	293	180	8
CB54	1400	0.18	113	113	160	160	138	138	115	134	300	293	180	7
CB62	2800	0.55	123	113	175	165	149	138	117	134	302	289	200	9
CB64	1400	0.18	123	113	175	165	149	138	117	134	302	289	200	8
CB72	2800	1.10	135	135	190	190	165	165	141	168	373	333	230	16
CB74	1400	0.25	135	135	190	190	165	165	141	168	373	333	230	12
CB92	2800	2.20	162	173	222	233	194	205	160	187	438	400	265	23
CB94	1400	0.55	162	173	222	233	194	205	160	187	438	400	265	15
CB96	900	0.18	162	173	222	233	194	205	160	187	438	400	265	14
CB104	1400	1.10	202	193	262	253	233	224	193	225	513	465	265	21
CB106	900	0.37	202	193	262	253	233	224	193	225	513	465	265	20