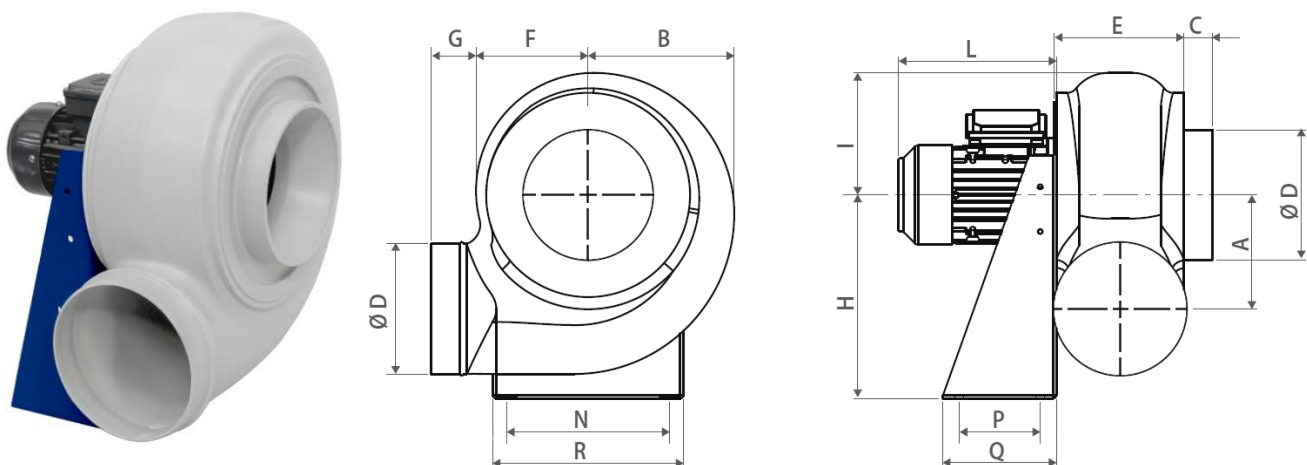


CP – BACKWARD CURVED BLADES

Standard range with plastic casing

The CP range is for industrial applications in a corrosive or chemical environment, battery rooms, etc. The characteristics of the standard range are:

- Motor speed: available in 2, 4 and 6 poles
- Flow rate: up to 6600m³/h
- Static pressure: up to 1600Pa
- Casing: plastic molding (PE, polyethylene)
- Impeller in plastic material (PP, polypropylene)
- Motor stand: structure in painted steel (epoxy coating)
- Orientation: RD0 to RD315 and LG0 to LG315 in 45° increments



CP...	V. rpm	P. kW	LwA dBA	A mm	B mm	C mm	D mm	E mm	F mm	G mm	H mm	I mm	L mm	N mm	P mm	Q mm	R mm	Weight kg
CP202	2760	0.18	62	140	180	35	160	160	138	55	250	150	195	200	100	140	235	9
CP254	1370	0.12	54	173	228	35	200	185	170	55	310	190	190	255	100	140	290	10
CP252	2800	0.37	71	173	228	35	200	185	170	55	310	190	220	255	100	140	290	13
CP284	1370	0.18	55	208	255	40	225	195	190	70	350	210	190	280	120	190	316	14
CP282	2850	0.75	75	208	255	40	225	195	190	70	350	210	240	280	120	190	316	19
CP314	1400	0.25	59	240	280	40	250	200	210	70	410	230	220	320	150	230	355	19
CP312	2850	1.50	79	240	280	40	250	200	210	70	410	230	290	320	150	230	355	26
CP354	1400	0.37	61	260	312	40	280	237	230	55	445	270	220	355	150	230	390	23
CP352	2870	2.20	80	260	312	40	280	237	230	55	445	270	290	355	150	230	390	32
CP404	1420	0.55	69	290	356	40	315	252	264	55	495	295	240	325	170	250	365	33
CP406	910	0.25	56	290	356	40	315	252	264	55	495	295	220	325	170	250	365	30
CP454	1440	1.10	70	324	400	40	355	287	295	55	550	330	290	370	170	250	410	40
CP456	930	0.37	59	324	400	40	355	287	295	55	550	330	240	370	170	250	410	37