

# TDA – FORWARD CURVED BLADES: DOUBLE INLET

Belt drive

This range of low-pressure and high-flow centrifugal fans is particularly suitable for cooling units and the belt-drive facilitates the use of non-specific motors. There are many assembly possibilities and these products are available in single, double or triple versions. These products come in 11 sizes for the L (light) series and 19 sizes for the R (reinforced) series.

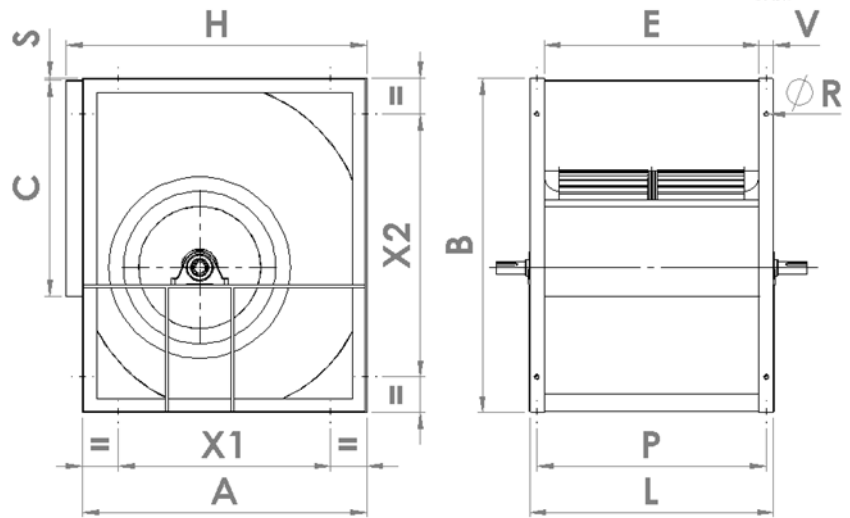


## Standard construction:

- Casing made by spot welding and impellers made from pre-galvanized steel.
- Impeller with stapled blades and G6.3 balanced according to ISO 1940
- Transmission line keyed on both sides
- Self-aligned, sealed and greased for life bearings for the light series
- Bearings with grease fittings from size 20/20 for the reinforced series.

## Option:

- Stainless steel (304L)
- Epoxy paint finish
- Set of feet for sizes 7/7 to 18/18



TDA ./.	A mm	B mm	C mm	E mm	H mm	L mm	P mm	S mm	V mm	X1 mm	X2 mm	ØR mm
7/7	295	330	209	232	315	280	258	6	24	220	255	10
9/9	355	404	265	298	380	346	323	6	24	280	327	10
10/10	402	452	290	326	432	374	350	6	24	326	377	10
12/12	475	534	342	386	505	444	416	6	29	384	443	10
15/15	553	622	404	473	585	532	504	6	29	460	531	10
18/18	666	754	480	556	700	626	592	6	35	553	641	10
20/20	795	935	604	602	840	682	642	6	40	595	735	12
22/22	863	1019	695	655	908	735	695	6	40	663	819	12
25/25	953	1142	794	765	998	845	805	6	40	753	942	12
30/28	1159	1374	933	890	1204	970	930	6	40	959	1174	12

# TDA PERFORMANCES

Series L (light) and Series R (reinforced)



Series L TDA ./.	Max. velocity rpm	Max. flow rate m3/h	Max. total P. Pa	Max. abs. P. kW
7/7	2500	3100	880	1.0
9/7	2000	4250	960	1.5
9/9	2000	5100	930	1.5
10/8	1700	5150	900	1.5
10/10	1700	6100	950	2.0
12/9	1500	6850	950	2.2
12/12	1500	8550	950	3.0
15/11	1200	9700	930	3.0
15/15	1200	12350	930	4.0
18/13	1000	13300	1000	5.0
18/18	1000	17300	900	5.0



Series R TDA ./.	Max. velocity rpm	Max. flow rate m3/h	Max. total P. Pa	Max. abs. P. kW
7/7	3100	3100	1220	1.5
9/7	2400	4250	1270	2.0
9/9	2400	5100	1270	2.3
10/8	2200	5150	1420	3.0
10/10	2200	6100	1400	3.0
12/9	1800	6850	1400	3.5
12/12	1800	8550	1220	3.5
15/11	1400	9700	1220	5.0
15/15	1400	12350	1180	5.5
18/13	1200	13300	1300	6.0
18/18	1200	17300	1180	7.0
20/15	900	19650	900	7.5
20/20	900	23550	880	9.0
22/15	900	23150	1050	11.5
22/20	900	27100	1080	11.5
22/22	900	29500	1070	11.5
25/20	700	34200	900	11.0
25/25	700	39350	900	13.0
30/20	600	40850	970	15.0
30/28	600	53800	980	15.0

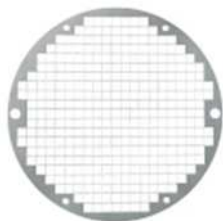
**Notes:**

The speeds are indicated for impellers made from galvanized steel.

For ancillaries / standard or specific installations, please consult the sales team.



Outlet flange



Inlet safety guard



Outlet flexible coupling flange



Anti-vibration mount