

TH / TV – ROOF FANS WITH H. / V. DISCHARGE

Roof mounting

This range is available from diameter 315 to 1250. The TH (horizontal) and TV (vertical) ranges are suitable for roof installations. They can extract large volumes of fluids without particulate matter. The manufacturing characteristics of these products are comparable with axial fans in the same operating class. For installation in an area with particular temperature or climate conditions (snow, wind, etc.), please ask us. This solution (TV) is particularly suitable for environmental constraints with an upwards discharge of any VOC (Volatile Organic Compounds) that may be contained in the fluids. **For optimal installation, we recommend the option with connection to a switch or external junction box for these fans.**

Standard construction:

- Fan in pre-galvanized steel
- Standard fastening base plate. Specific dimensions and drill holes upon request.
- Protective polyester cover for TH and in pre-galvanized steel for TV.

Option:

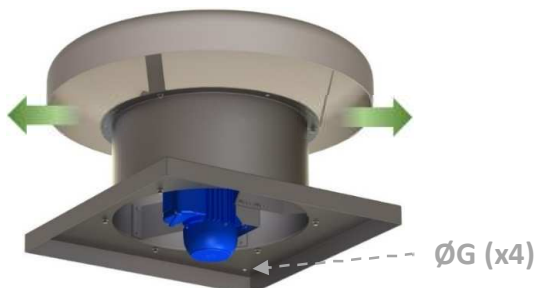
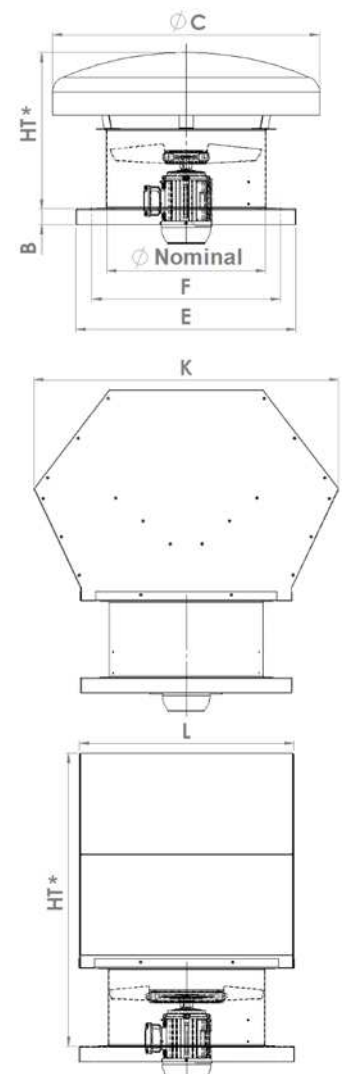
- Aluminium
- Hot-dip galvanized steel or 304L / 316L stainless steel
- Exterior epoxy paint finish
- Ancillaries: outlet backdraught dampers, silencer at the inlet, deflectors, etc.

Nominal \varnothing mm	B mm	$\varnothing C$ mm	E mm	F mm	$\varnothing G$ mm	K mm	L mm	HT* TH mm	HT* TV mm
315	50	650	500	400	13	800	500	450	820
350	50	650	500	400	13	800	500	450	820
400	50	650	600	500	13	800	600	450	860
450	50	800	600	500	13	800	600	470	860
500	50	800	700	600	13	1000	700	660	1120
560	50	800	700	600	13	1000	700	660	1120
630	50	1200	800	700	13	1100	800	830	1180
710	50	1200	900	800	13	1100	800	830	1180
800	50	1500	1000	900	13	1300	1100	920	1400
900	50	1500	1100	1000	13	1300	1100	880	1230
1000	65	1500	1200	1100	13	1400	1200	1050	1460
1120	65	2000	1370	1270	13	1700	1400	1340	1550
1250	65	2000	1370	1270	13	1700	1400	1320	1590

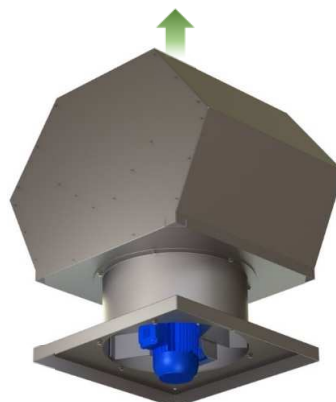
Notes:

HT*: Maximum height with short casing, without ancillaries.

The dimensions B, V, E and F are the same for TH and TV



TH



TV

Complete sealing cannot, however, be guaranteed in the event of rain or unusual climate events and the installation must be carried out in compliance with best practice (point to be defined for all roof fans, notion of maximum slope).