

DA – WALL MOUNTED

Fixed speed

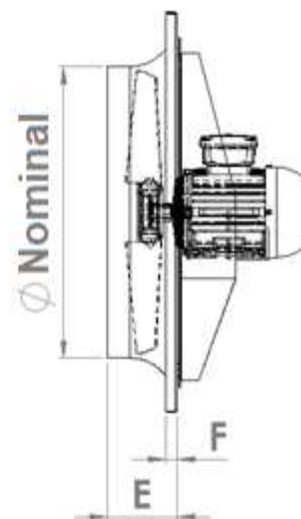
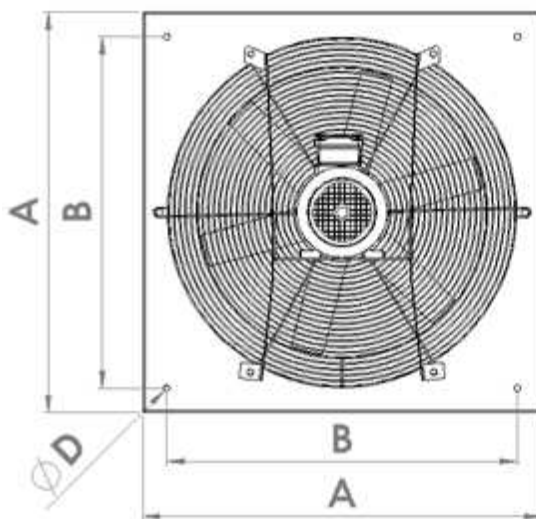
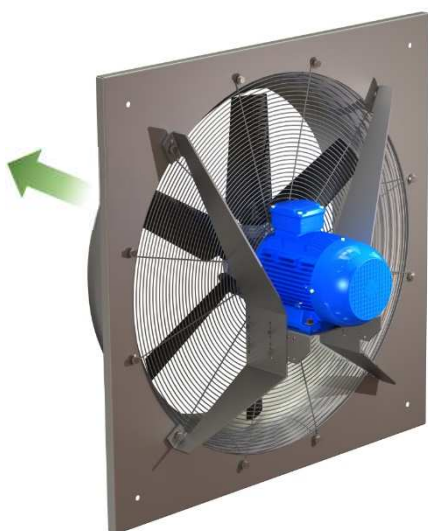
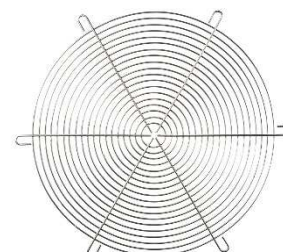
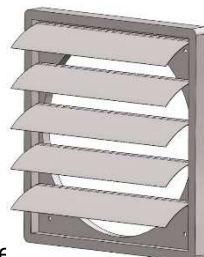
The DA fan is designed to be installed on a vertical surface. It has a square base with inlet bellmouth facilitating integration and assembly in industrial, agricultural or tertiary premises. Plastic or aluminium blades are available to cover your applications.

Standard construction:

- Housing in Z275 pre-galvanized steel
- Electrogalvanized safety guard on the motor

Option:

- Epoxy paint
- Stainless steel
- Operation in low or high temperature -40°C to +80°C
- Switch connector
- Shutter with louvres at the outlet, guard on the impeller side, €



Nominal \varnothing mm	A mm	B mm	$\varnothing D$ mm	E mm	F mm
250	370	320	13	150	25
310	430	380	13	150	25
350	485	435	13	150	25
400	540	490	13	150	25
450	590	535	13	150	25
500	700	615	13	150	25
560	725	675	13	150	25
630	805	750	13	150	25
710	890	810	13	170	25
800	1050	910	13	210	25
900	1150	1010	13	210	25

Notes:

For diameters greater than 900mm, contact us.