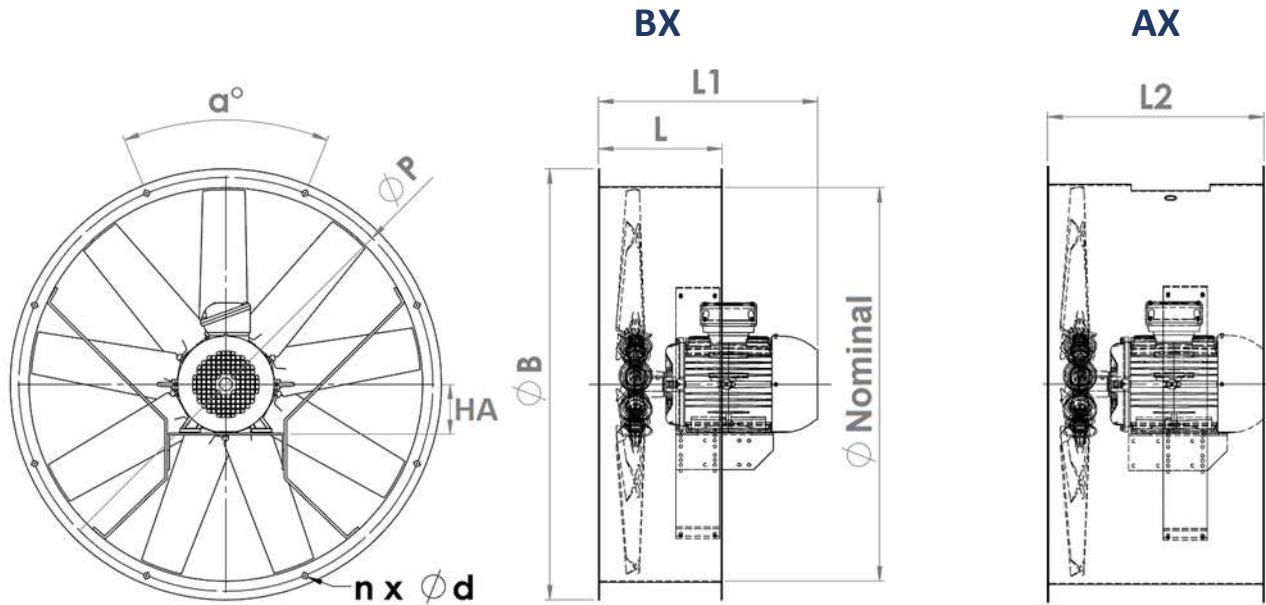


AX / BX DIMENSIONS

AX (long casing) - BX (short casing)



Nominal ϕ mm	HA mm	L mm	L2 mm	B mm	n	α °	d mm	P mm	AX weight* kg	BX weight* kg
250	56-71	235	350	330	6	60	9	300	13	11
315	56-80	254	350	385	6	60	12	351	24	22
350	63-90	254	350	425	6	60	12	390	29	27
400	63-100	254	440	470	6	60	12	440	41	37
450	63-112	254	440	520	6	60	12	490	58	54
500	63-112	254	440	572	6	60	12	540	59	55
	132	425	600						98	92
560	71-112	254	440	626	6	60	12	594	62	57
	132	425	600						101	95
630	63-112	254	440	704	6	60	12	670	65	59
	132	425	600						105	99
	160	425	675						139	133
710	80-112	254	440	780	6	60	12	744	69	62
	132-160	425	675						142	135
800	80-112	254	440	885	8	45	12	850	72	65
	132-160	425	675						177	163
	180	425	800						184	170
900	90-160	425	675	990	12	30	15	954	188	171
	180	425	800						231	205
1000	90-160	425	675	1090	12	30	15	1056	206	187
	180	425	800						250	222
	200	600	865						320	294
1120	100-180	465	800	1230	12	30	15	1190	266	237
	200-225	665	1010						524	485
	250-280	800	1010						689	639
1250	100-180	465	800	1375	12	30	15	1320	308	265
	200-225	665	1010						549	506
	250-280	800	1010						950	917
1400	132-180	650	900	1530	12	30	15	1480	348	326
	200-225	650	1010						586	535
	250-280	800	1010						994	957
1600	132-180	650	900	1730	16	22.5	15	1660	398	350
	200-225	650	1010						616	559
	250-280	650	1010						1035	993
1800	160-225	685	1010	1930	24	15	15	1880	560	607
	250-280	800	1010						1089	1042

Notes:

L1 is variable depending on the motorization.

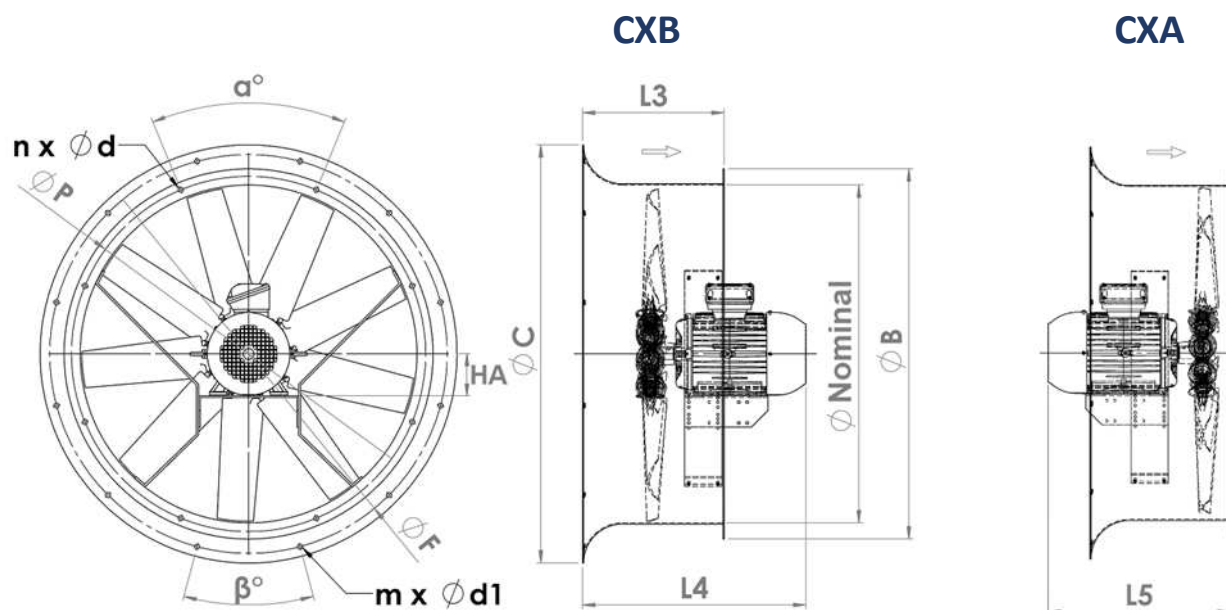
The flange drill holes are AREM type by default. Specify when ordering if your requirement is for the Eurovent standard.

*Weights are provided for information only and include the motor weights of the maximum power (without ancillaries).

For diameters greater than 1800mm, contact us.

CX DIMENSIONS

CX (short casing with inlet bellmouth)



Nominal Ø mm	HA mm	L3 mm	B mm	n -	α °	d mm	P mm	C mm	m -	β °	d1 mm	F mm	CX weight* kg
250	56-71	-	330	6	60	9	300	-	-	-	-	-	-
315	56-80	-	385	6	60	12	351	-	-	-	-	-	-
350	63-90	-	425	6	60	12	390	-	-	-	-	-	-
400	63-100	330	470	6	60	12	440	530	6	60	12	490	47
450	63-112	330	520	6	60	12	490	580	6	60	12	540	60
500	63-112 132	330 425	572	6	60	12	540	685	6	60	12	642	61 101
560	71-112 132	330 425	626	6	60	12	594	715	6	60	12	670	65 105
630	63-112 132 160	330 500 500	704	6	60	12	670	790	6	60	12	744	71 113 147
710	80-112 132-160	330 500	780	6	60	12	744	900	8	45	12	850	77 150
800	80-112 132-160 180	340 565 565	885	8	45	12	850	1000	12	30	12	954	80 185 195
900	90-160 180	565 565	990	12	30	15	954	1100	12	30	15	1056	198 241
1000	90-160 180 200	565 565 675	1090	12	30	15	1056	1230	12	30	15	1190	216 255 340
1120	100-180 200-225 250-280	565 750 1110	1230	12	30	15	1190	1360	12	30	15	1320	286 554 719
1250	100-180 200-225 250-280	565 750 1110	1375	12	30	15	1320	1520	12	30	15	1480	338 579 980
1400	132-180 200-225 250-280	750 750 1110	1530	12	30	15	1480	1600	16	22.5	15	1560	388 626 1034
1600	132-180 200-225 250-280	750 750 1110	1730	16	22.5	15	1660	1810	16	22.5	15	1756	438 656 1075
1800	160-225 250-280	750 1110	1930	24	15	15	1880	2030	24	15	18	1980	605 1139

Notes:

L4 and L5 are variable depending on the motorization.

The flange drill holes are by default AREM type. Specify when ordering if your requirement is for the Eurovent standard.

*Weights are provided for information only and include the motor weights of the maximum power (without ancillaries).

For diameters greater than 1800mm, contact us.