

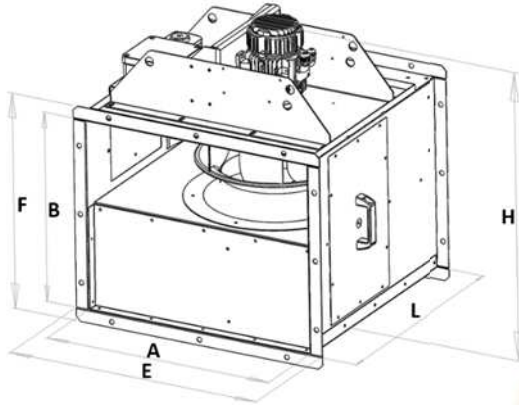


CELN – IN LINE CENTRIFUGAL: AC / EC MOTORIZATION

Backward curved blades

The CELN is a centrifugal plenum box fan, available in 7 sizes and 11 versions. It is designed to transport ambient air or high-temperature air. It is ideal for ventilating professional kitchens or tertiary premises with medium flow rates and pressures.

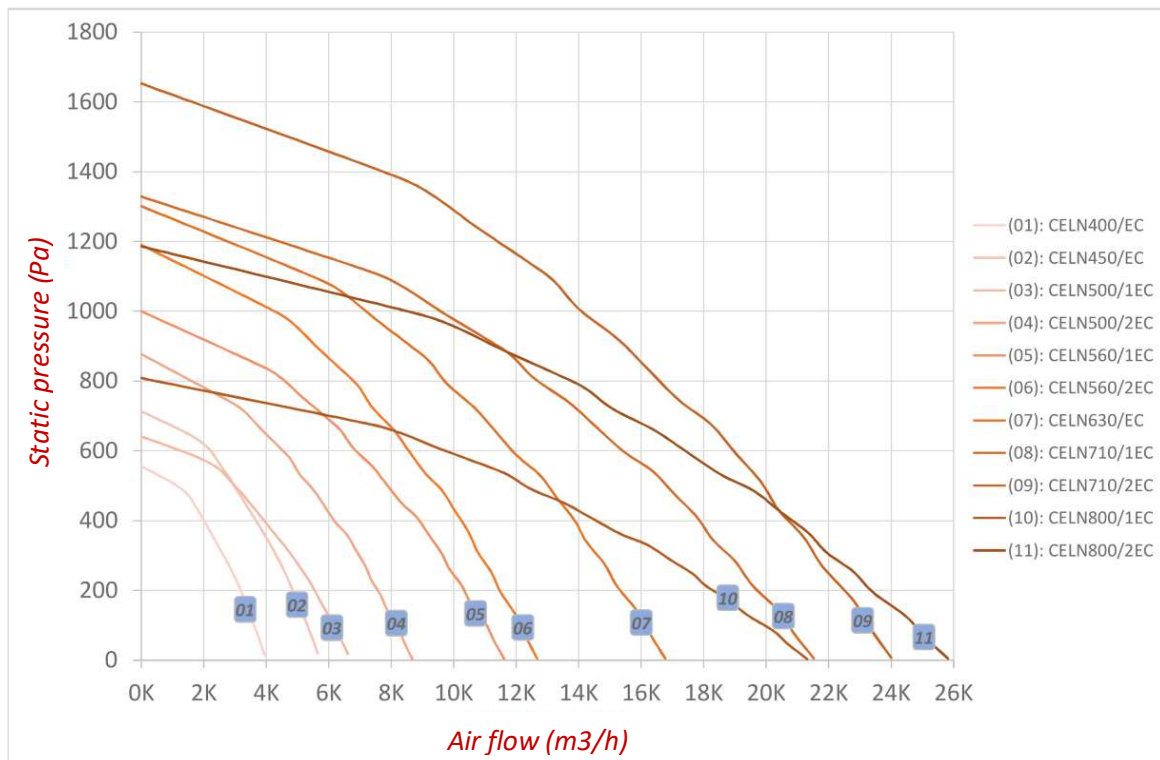
Two types of motorization are available: the version with AC (asynchronous) motor or the version with EC (electronically commutated) motor, which is versatile thanks to the variable speed of the impeller. For maintenance, the plenum box has two inspection hatches to make cleaning easier.



	A mm	B mm	E mm	F mm	H* Mm	L mm	Weight* mm
CELN400	620	500	690	570	770	635	70
CELN450	710	560	780	630	880	730	100
CELN500	795	630	865	700	960	800	117
CELN560	890	700	965	770	1060	905	160
CELN630	1000	800	1070	870	1130	1000	205
CELN710	1120	905	1190	975	1325	1120	280
CELN800	1250	1010	1320	1080	1440	1250	330

Notes:

H and Weight are indicated for EC motorization.

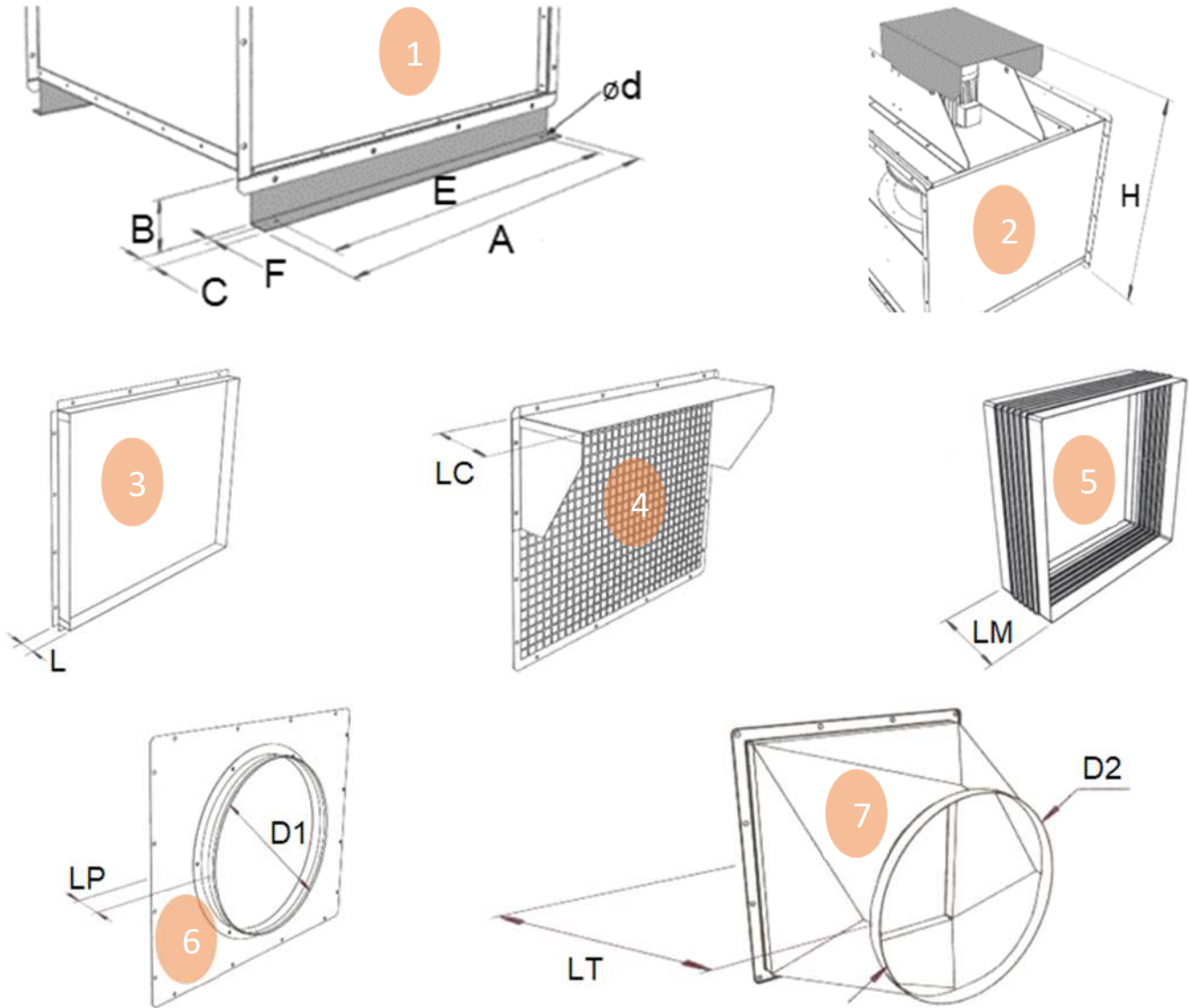




CELN ANCILLARIES

Common ancillaries

- Support feet (1)
- Motor cover (2)
- Matching flange (3)
- Meshed cover / Safety guard (4)
- Flexible coupling flange (5)
- Circular fitting (6)
- "Circle-square" adaptor (7)



	A mm	B mm	C mm	Ød mm	E mm	F mm	H* mm	L mm	LC mm	LM mm	LP mm	D1 mm	LT mm	D2 mm
CELN400	620	≈100	35	11	570	18	845	68	245	195	245	450	540	570
CELN450	710	≈100	35	11	610	18	905	68	250	195	250	500	600	630
CELN500	800	≈100	35	11	720	18	990	68	320	195	320	550	700	710
CELN560	895	≈100	35	11	795	18	1115	68	367	195	367	630	800	800
CELN630	1000	≈110	50	13	870	18	1285	68	315	195	315	700	850	900
CELN710	1165	≈110	50	13	965	18	1440	68	370	195	370	800	900	1000
CELN800	Special: consult the detailed plan						1545	68	450	195	450	900	950	1120

Notes:

*H is variable depending on the motorization.