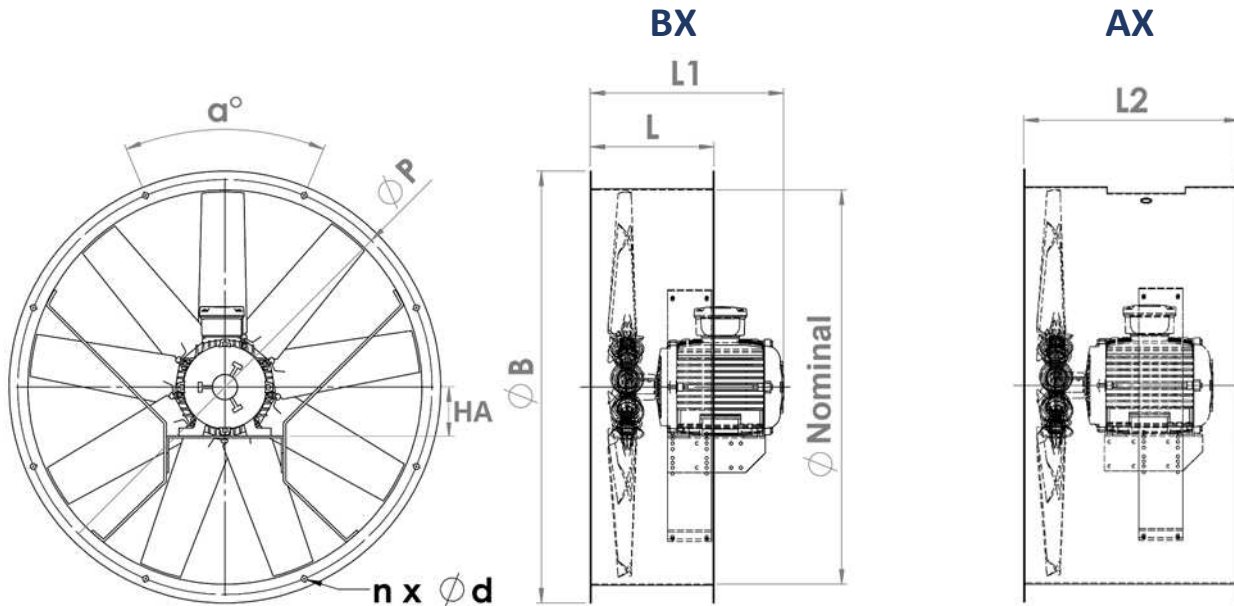




# AX / BX DIMENSIONS

AX (long casing) - BX (short casing)



Nominal $\varnothing$ mm	HA mm	L mm	L2 mm	B mm	n	$\alpha$ °	d mm	P mm	AX weight* kg	BX weight* kg
<b>400</b>	63-100	254	440	470	6	60	12	440	41	37
<b>450</b>	63-112	254	440	520	6	60	12	490	58	54
<b>500</b>	63-112 132	254 425	440 600	572	6	60	12	540	59 98	55 92
<b>560</b>	71-112 132	254 425	440 600	626	6	60	12	594	62 101	57 95
<b>630</b>	63-112 132 160	254 425 425	440 600 675	704	6	60	12	670	65 105 139	59 99 133
<b>710</b>	80-112 132-160	254 425	440 675	780	6	60	12	744	69 142	62 135
<b>800</b>	80-112 132-160 180-200	254 425 600	440 675 865	885	8	45	12	850	72 177 184	65 163 170
<b>900</b>	90-160 180	425 425	675 800	990	12	30	15	954	188 231	171 205
<b>1000</b>	90-160 180 200	425 425 600	675 800 865	1090	12	30	15	1056	206 250 320	187 222 294
<b>1120</b>	100-180 200-225 250-280	465 665 800	800 1010 1010	1230	12	30	15	1190	266 524 689	237 485 639
<b>1250</b>	100-180 200-225 250-280	465 665 800	800 1010 1010	1375	12	30	15	1320	308 549 950	265 506 917
<b>1400</b>	132-180 200-225 250-280	650 650 800	900 1010 1010	1530	12	30	15	1480	348 586 994	326 535 957
<b>1600</b>	132-180 200-225 250-280	650 650 800	900 1010 1010	1730	16	22.5	15	1660	398 616 1035	350 559 993

**Notes:**

L1 is variable depending on the motorization.

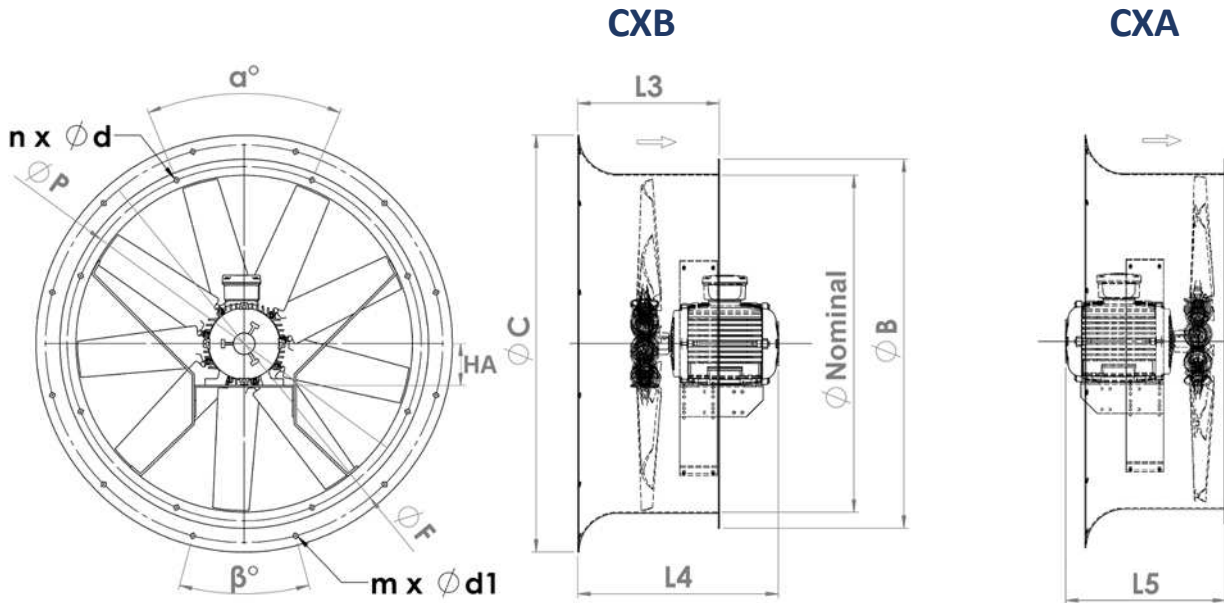
The flange drill holes are by default AREM type. Specify when ordering if your requirement is for the Eurovent standard.

\*Weights are provided for information only and include the motor weights of the maximum power (without ancillaries).



## CX DIMENSIONS

CX (short casing with inlet bellmouth)



Nominal Ø mm	HA mm	L3 mm	B mm	n -	α °	d mm	P mm	C mm	m -	β °	d1 mm	F mm	CX weight* kg
400	63-100	330	470	6	60	12	440	530	6	60	12	490	47
450	63-112	330	520	6	60	12	490	580	6	60	12	540	60
500	63-112 132	330 425	572	6	60	12	540	685	6	60	12	642	61 101
560	71-112 132	330 425	626	6	60	12	594	715	6	60	12	670	65 105
630	63-112 132 160	330 500 500	704	6	60	12	670	790	6	60	12	744	71 113 147
710	80-112 132-160	330 500	780	6	60	12	744	900	8	45	12	850	77 150
800	80-112 132-160 180-200	340 565 675	885	8	45	12	850	1000	12	30	12	954	80 185 195
900	90-160 180	565 565	990	12	30	15	954	1100	12	30	15	1056	198 241
1000	90-160 180 200	565 565 675	1090	12	30	15	1056	1230	12	30	15	1190	216 255 340
1120	100-180 200-225 250-280	565 750 1110	1230	12	30	15	1190	1360	12	30	15	1320	286 554 719
1250	100-180 200-225 250-280	565 750 1110	1375	12	30	15	1320	1520	12	30	15	1480	338 579 980
1400	132-180 200-225 250-280	750 750 1110	1530	12	30	15	1480	1600	16	22.5	15	1560	388 626 1034
1600	132-180 200-225 250-280	750 750 1110	1730	16	22.5	15	1660	1810	16	22.5	15	1756	438 656 1075

**Notes:**

L4 and L5 are variable depending on the motorization.

The flange drill holes are by default AREM type. Specify when ordering if your requirement is for the Eurovent standard.

\*Weights are provided for information only and include the motor weights of the maximum power (without ancillaries).