

AXUS high temperatures (HT)

Version B (2020-03)

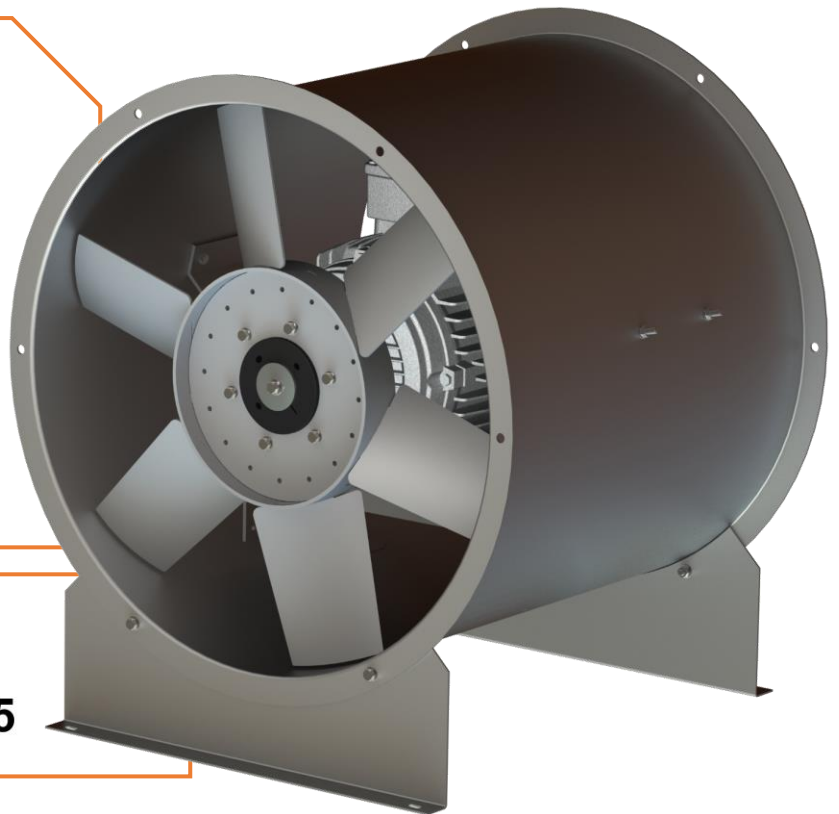


- ✓ Maximum impeller speed at 3000rpm
- ✓ Airflow up to 58000m³/h
- ✓ Available static pressure up to 2200Pa
- ✓ Diameter range from 630 to 800mm
- ✓ Fan structure in pre-galvanized steel
- ✓ Option: stainless steel, hot dip galvanized and surface paint finish

- ✓ Certified F400/2h



EN 12101-3:2015



Ancillaries:

Rigid flange



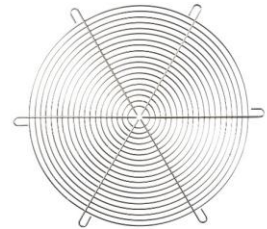
Inlet bellmouth



Flexible connector



Safety guard



Foot mounting support



AV mount



Junction box



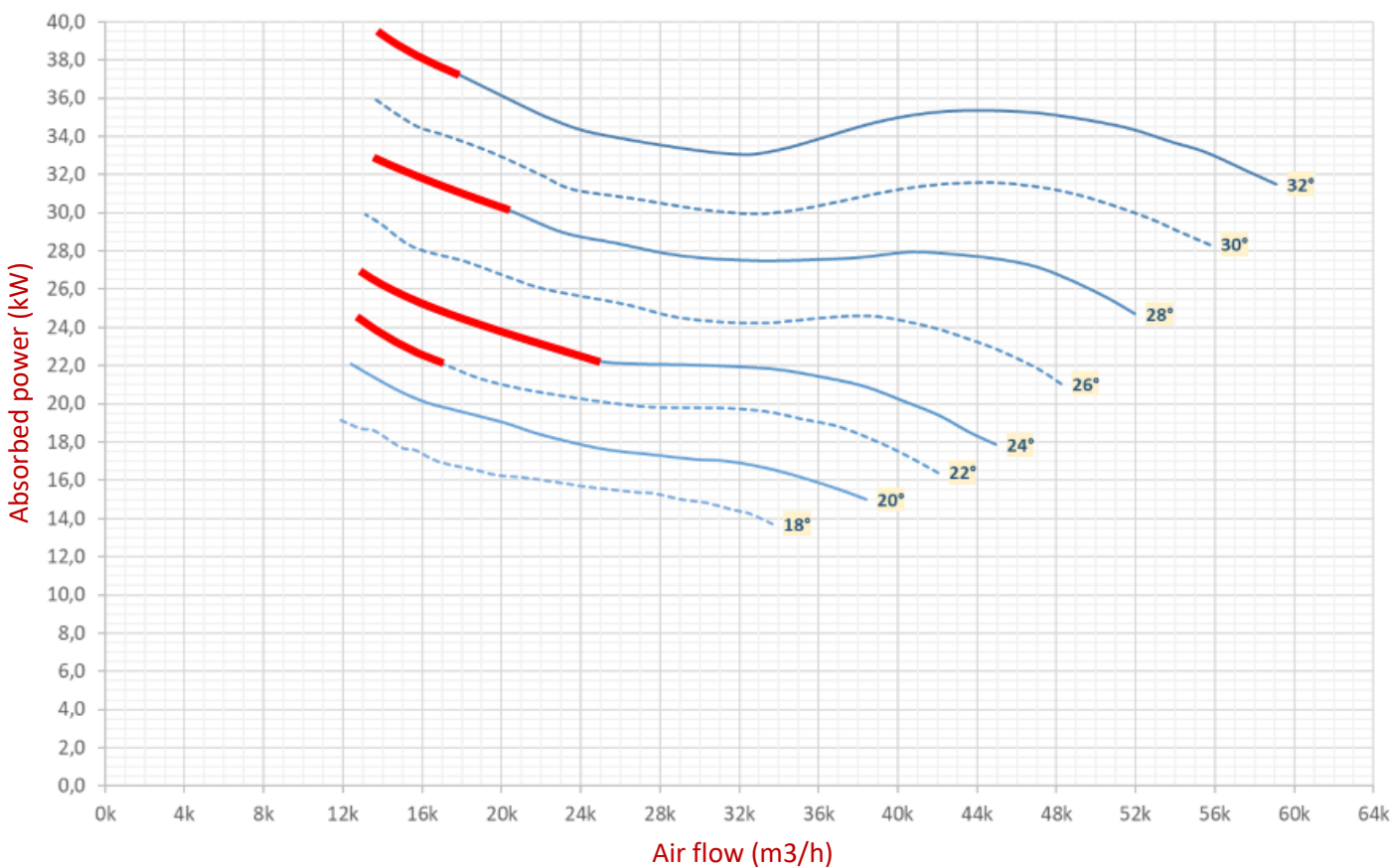
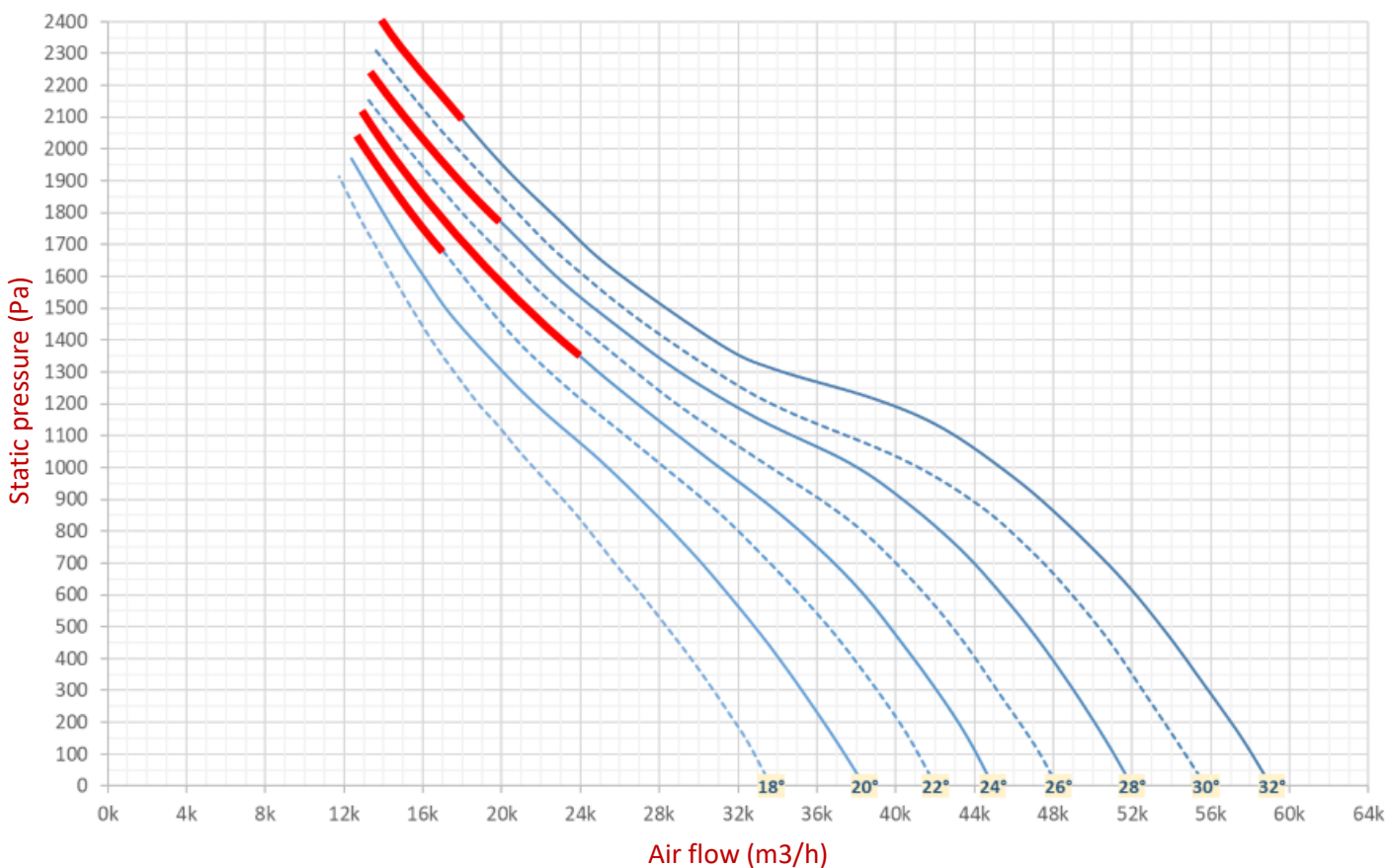
ON/OFF switch



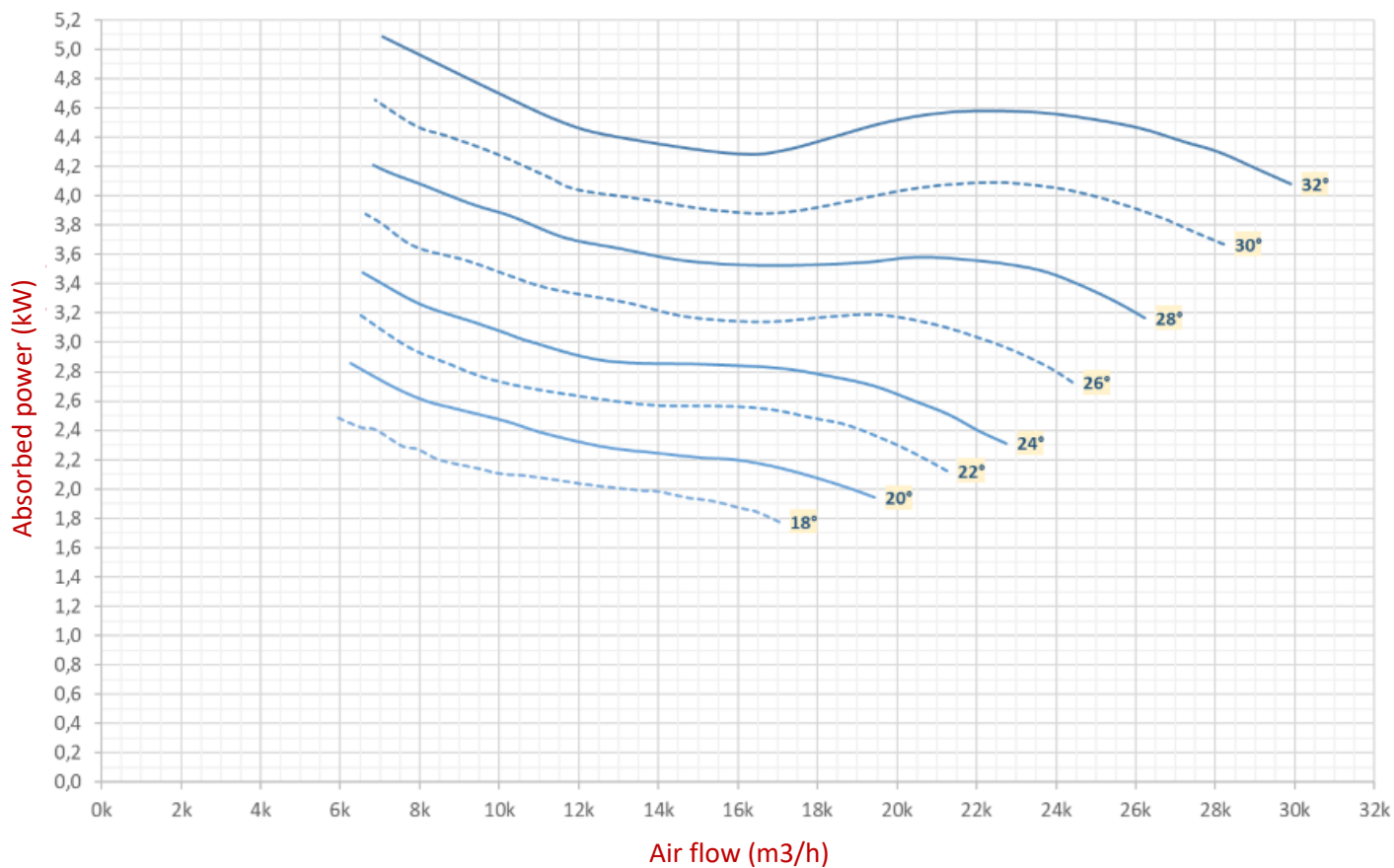
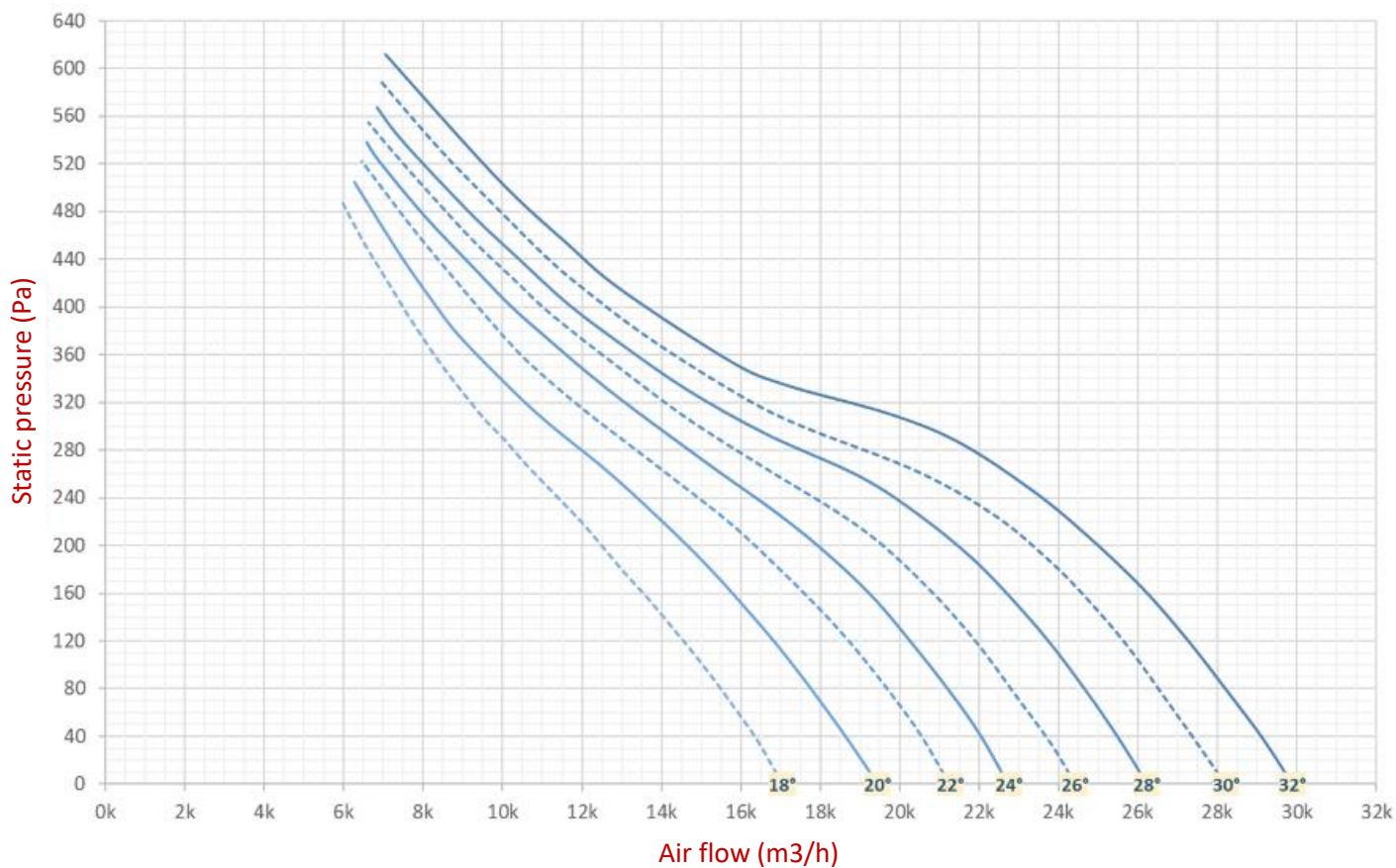
Notes: Applicable to the range

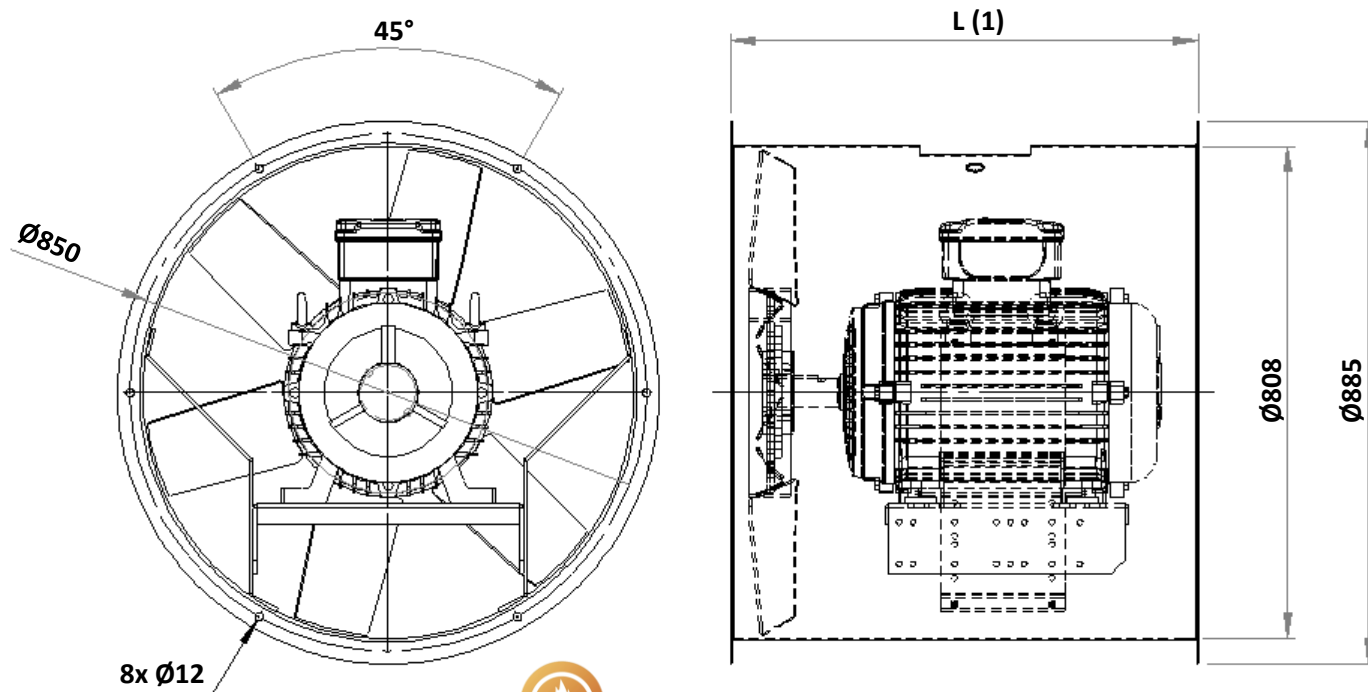
- Due to power range distribution of two speeds motor, the power rated of two speeds version could differ from single speed.
- **For fan functioning in red zone and the use of two speeds motor, please contact our sales team for guidance.**
- AREM reserves the right to modify technical, mechanical, dimensional and electrical data of the range without notification.
- **Fan will be supplied with a junction box on the case (optional ON/OFF switch).**

Impeller HT2:



Impeller HT2:





EN 12101-3

Notes:

(1): Up to 160mm motor frame, L=675mm
From 180mm motor frame, L=865mm

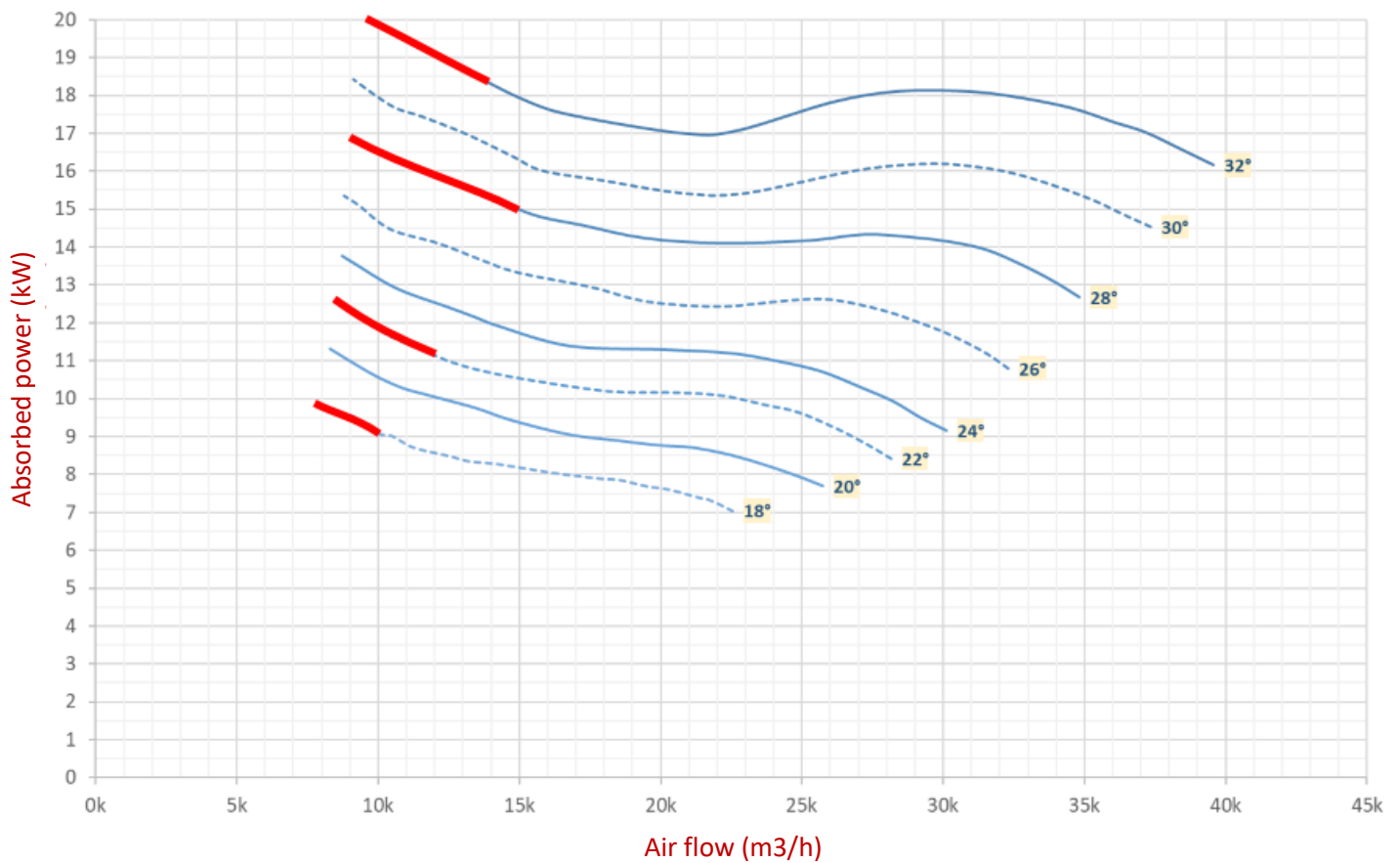
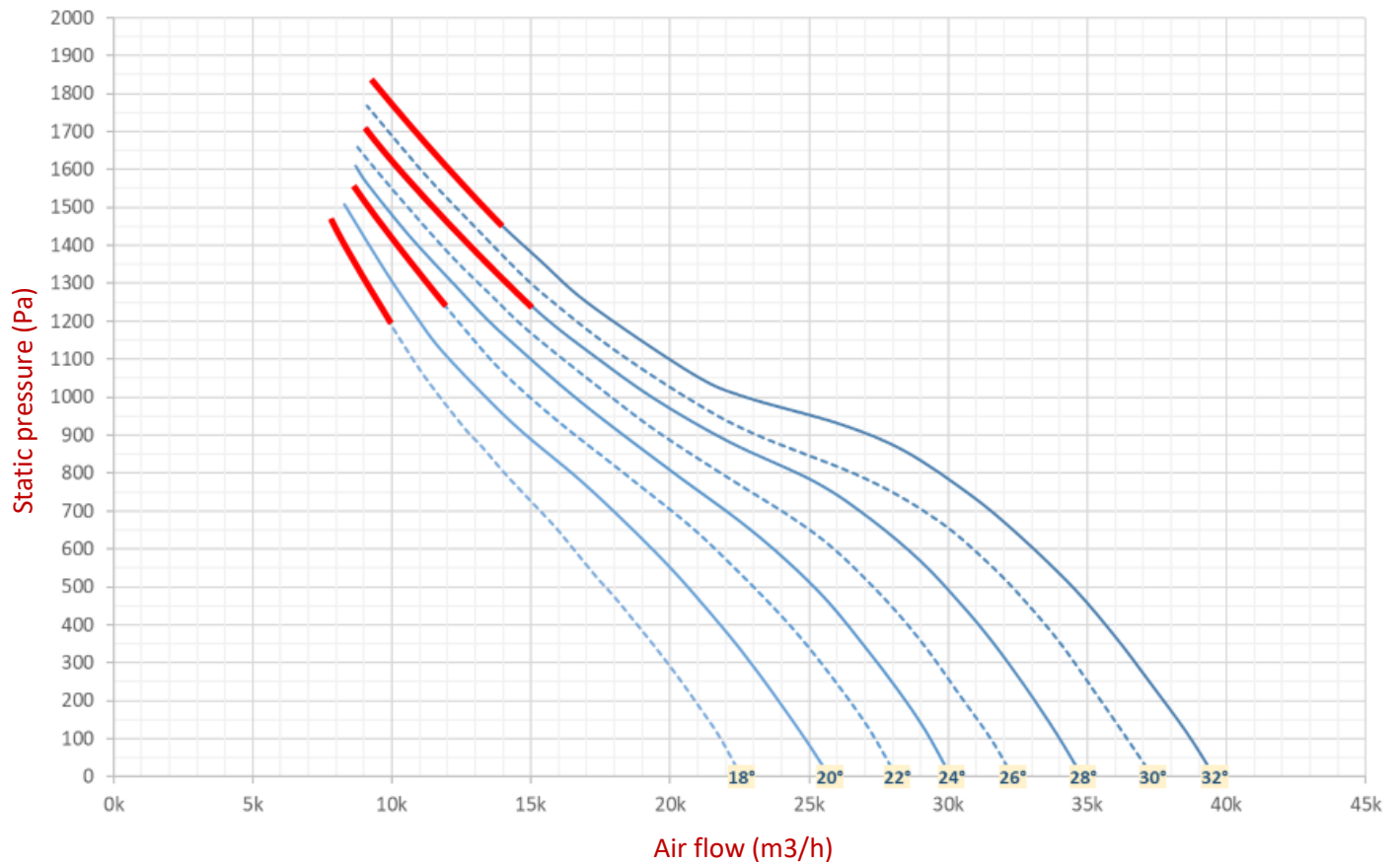
2P: 2poles
4P: 4poles
Lw: Sound power level
Lp: Sound pressure level

Blade angle °	Motor polarity rpm	Max. nominal power kW	Max. nominal current A (400V)	Weight* kg	63	125	250	500	1k	2k	4k	8k	Lw dBA	Lp @ 3m dBA
32	2P	37.00	68	355	95	98	98	108	101	96	93	92	107	87
	2P/4P**	33/8.6	59/11.5	375	80	83	83	93	86	81	78	77	92	72
30	2P	37.00	68	355	96	98	97	107	102	96	93	92	107	87
	2P/4P**	33/8.6	59/11.5	375	81	83	82	92	87	81	78	77	92	72
28	2P	30.00	54.5	340	93	97	96	107	102	95	93	93	107	87
	2P/4P**	30/6	52.5/11.4	360	78	82	81	92	87	80	78	78	92	72
26	2P	30.00	54.5	340	91	95	94	105	101	95	92	94	106	85
	2P/4P**	30/6	52.5/11.4	360	86	80	79	90	86	80	77	79	91	70
24	2P	22.00	40	275	88	94	93	104	101	94	92	94	105	85
	2P/4P**	22/5.5	40/10.5	295	73	79	78	89	86	79	77	79	90	70
22	2P	22.00	40	275	87	95	94	108	104	95	93	94	108	88
	2P/4P**	22/5.5	40/10.5	295	72	80	79	93	89	80	78	79	93	73
20	2P	22.00	40	275	86	96	95	110	106	96	93	95	110	90
	2P/4P**	22/5.5	40/10.5	295	71	81	80	95	91	81	78	80	95	75
18	2P	22.00	40	275	87	96	96	111	107	97	93	95	111	91
	2P/4P**	22/5.5	40/10.5	295	72	81	81	96	92	82	78	80	96	76

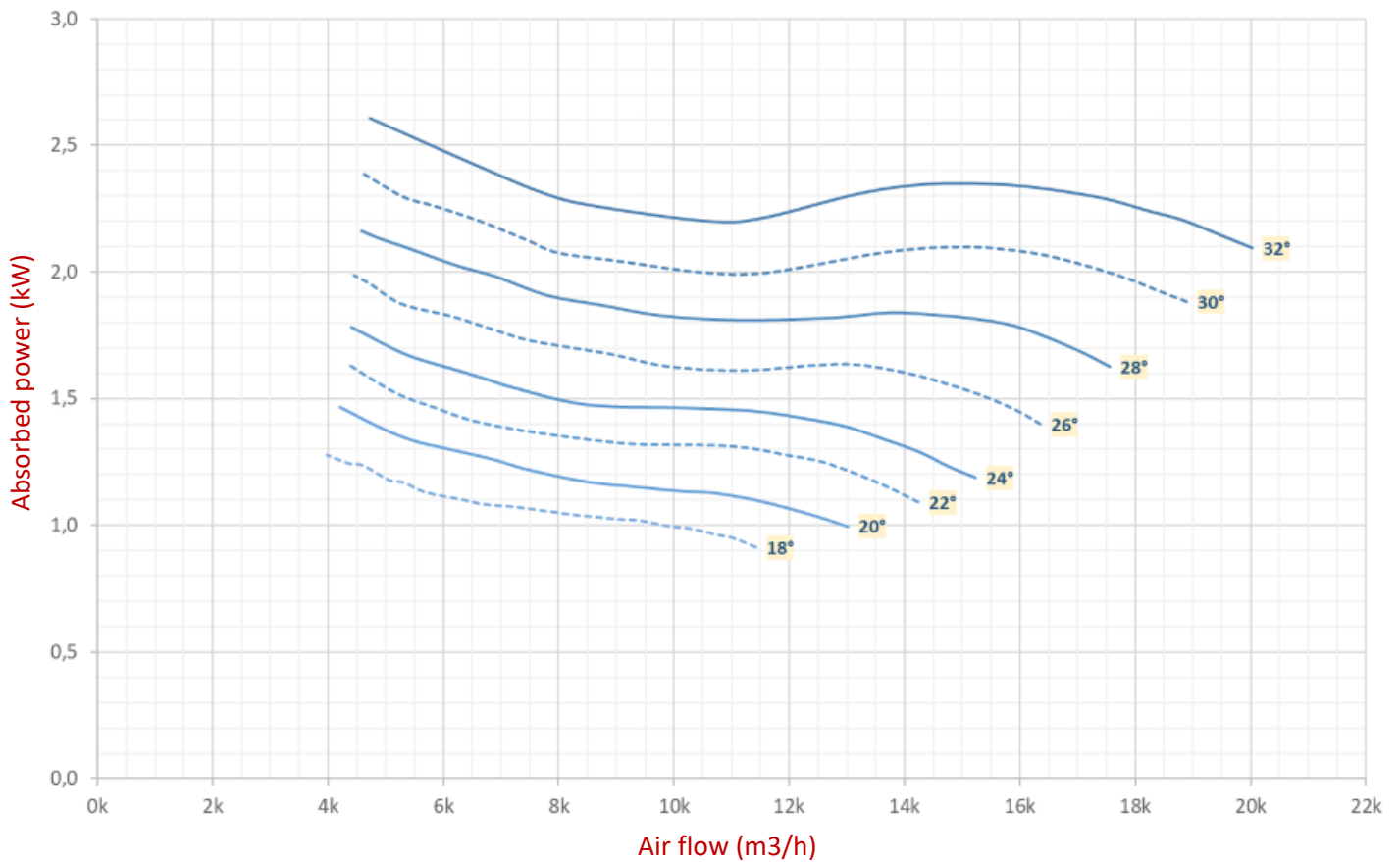
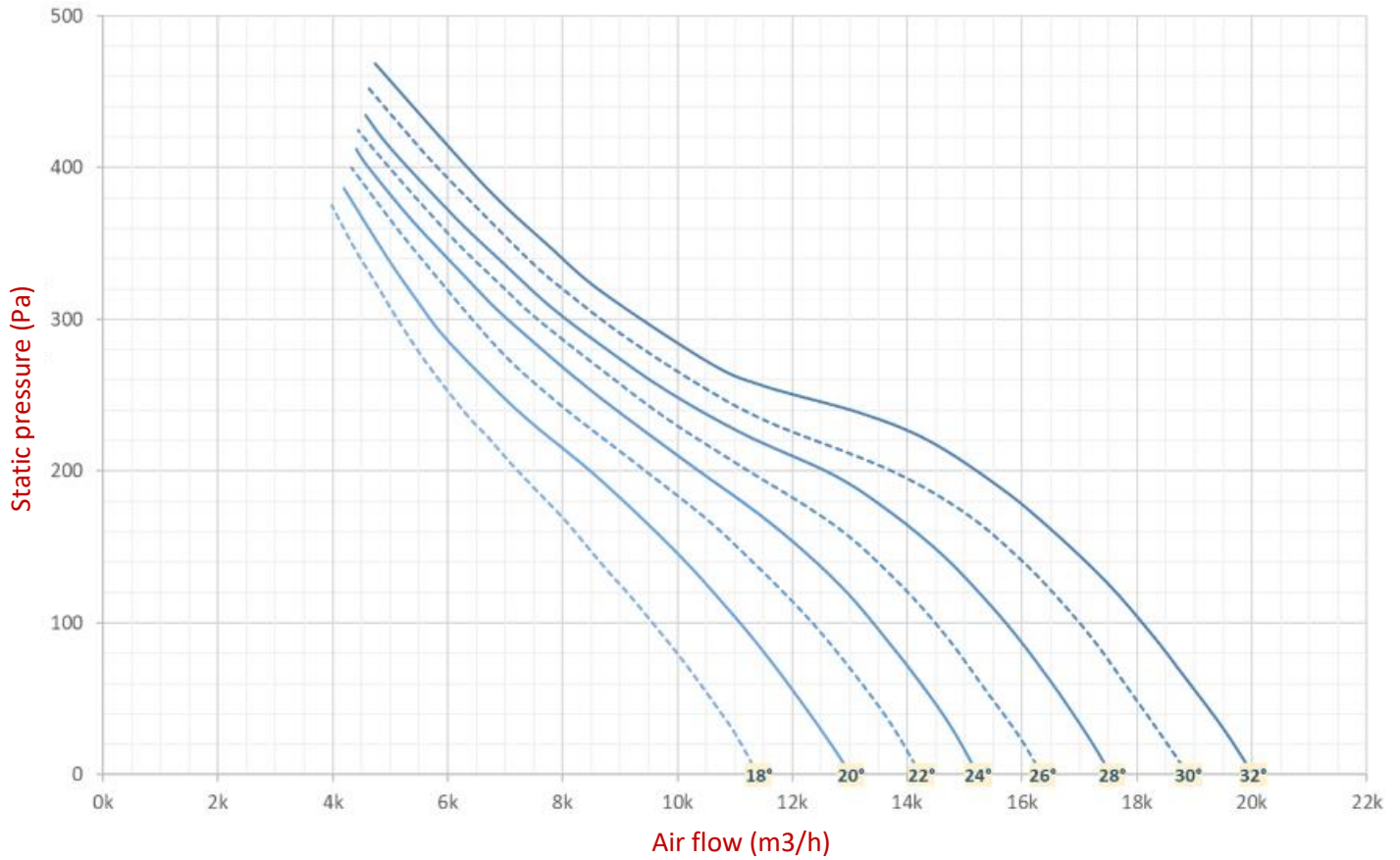
*Indicated weight excluding ancillaries;

**Low speed sound spectrum (4P)

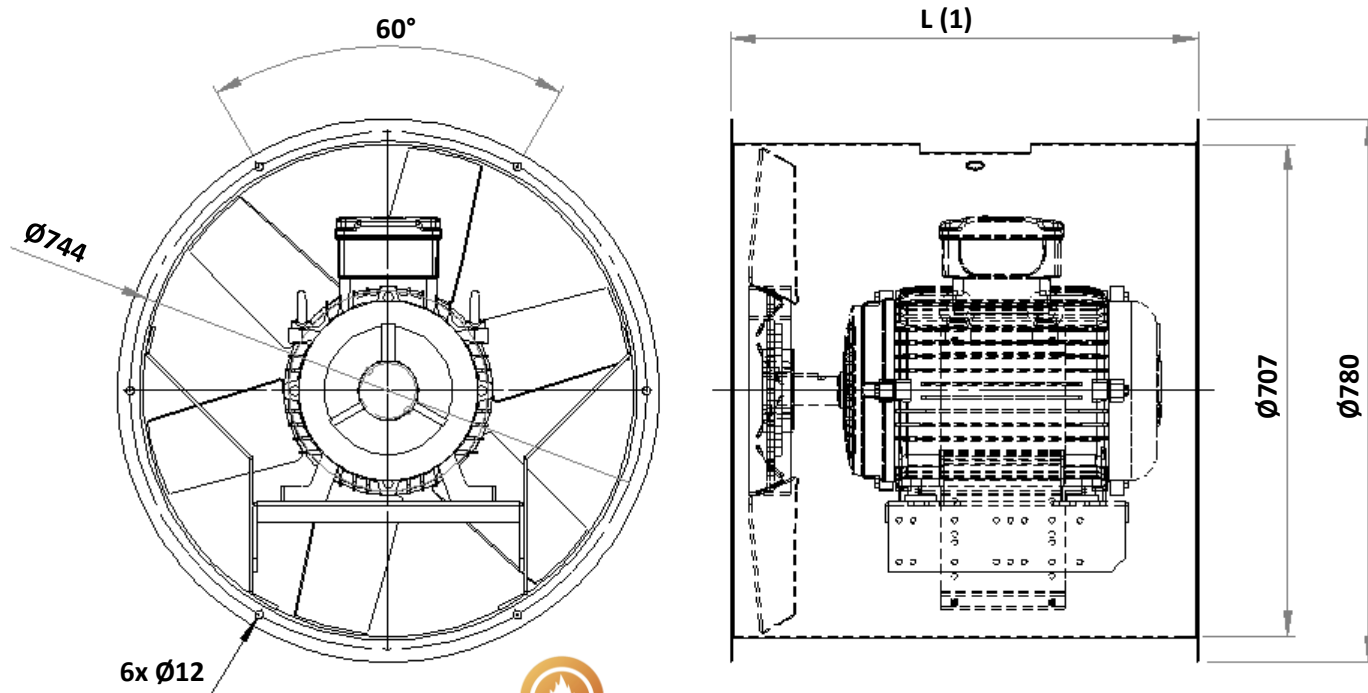
Impeller HT2:



Impeller HT2:



HT Axial fan D710mm (General dimensions)



EN 12101-3

Notes:

(1): Up to 160mm motor frame, L=675mm
From 180mm motor frame, L=865mm

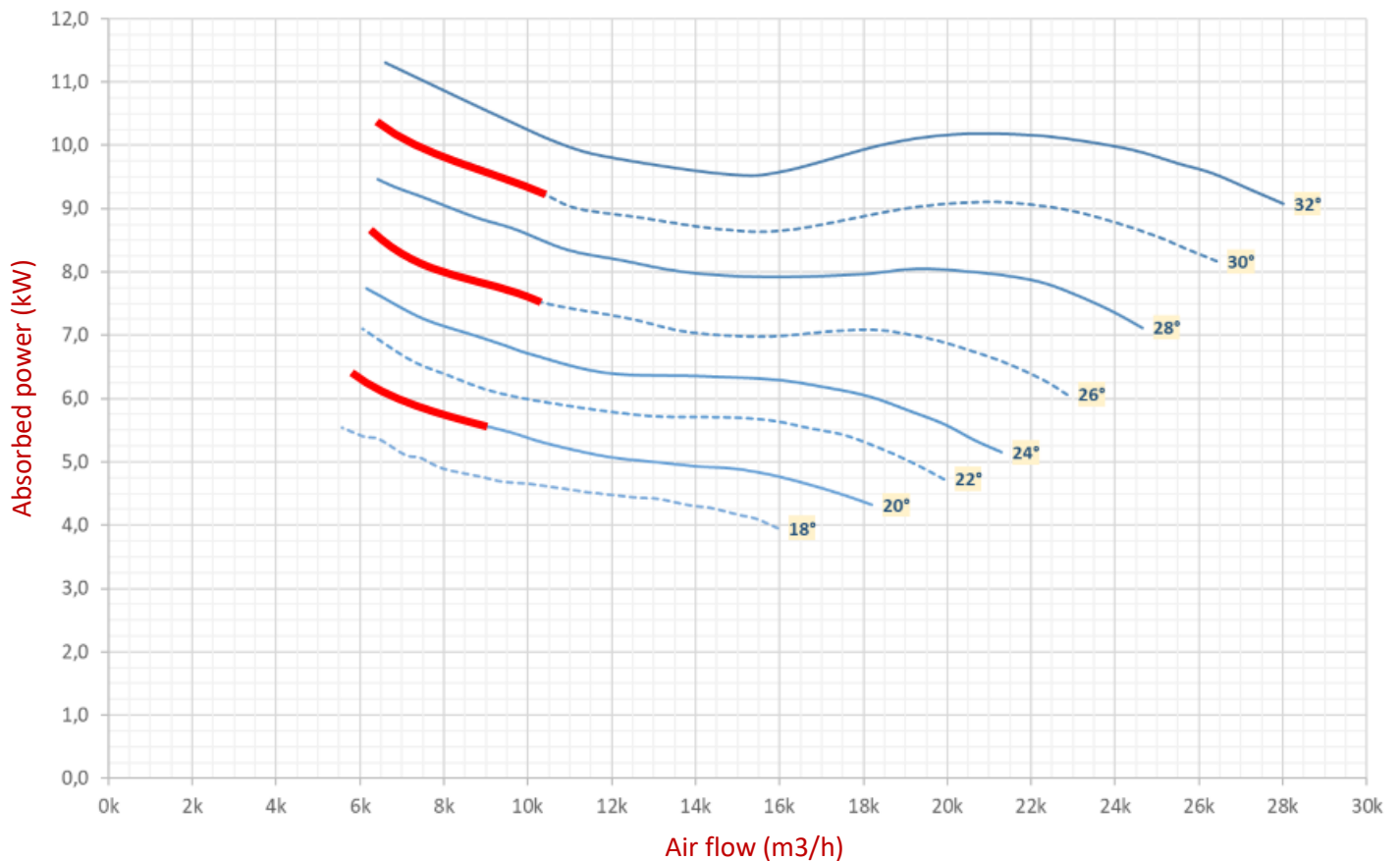
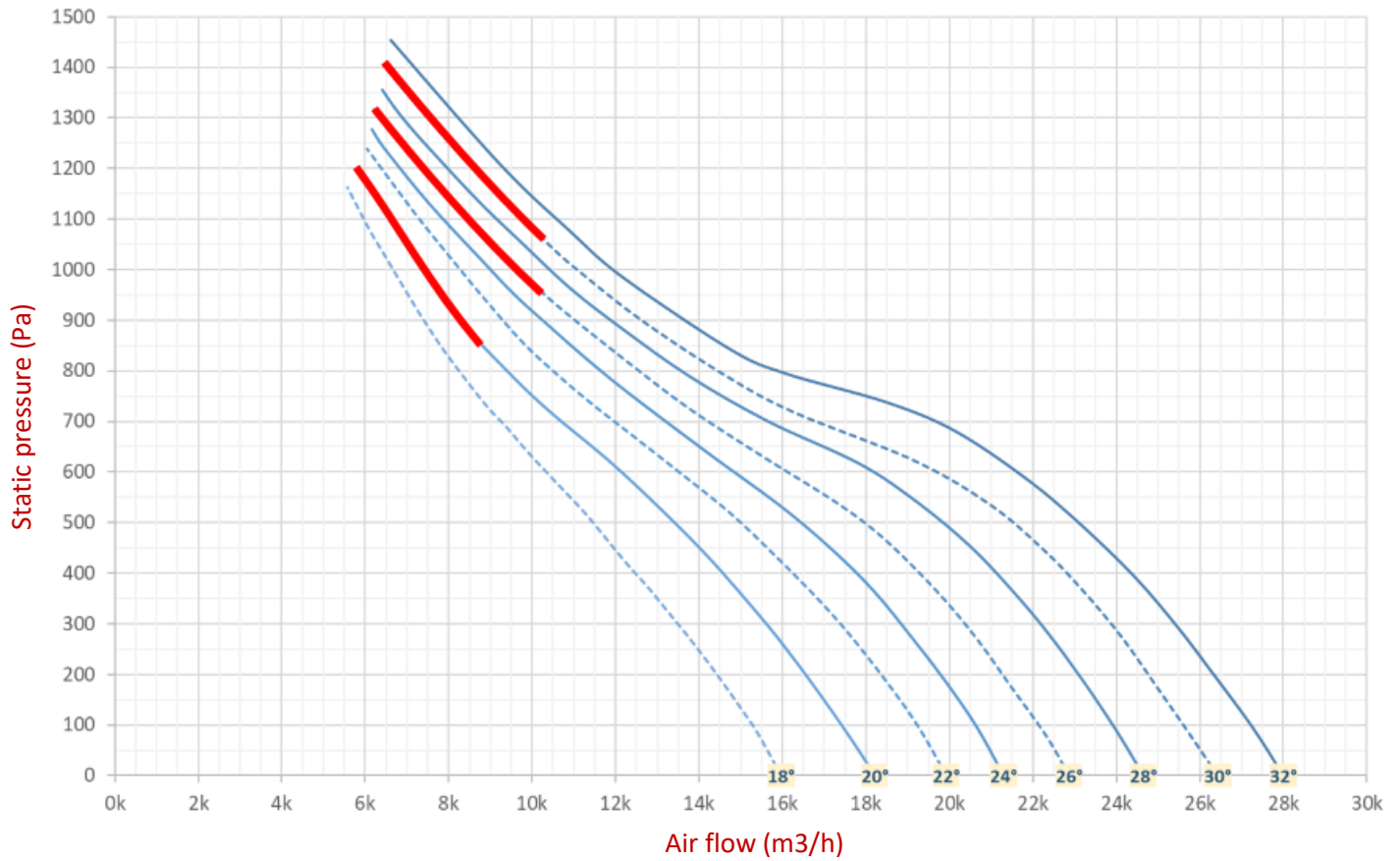
2P: 2poles
4P: 4poles
Lw: Sound power level
Lp: Sound pressure level

Blade angle °	Motor polarity rpm	Max. nominal power kW	Max. nominal current A (400V)	Weight* kg	63	125	250	500	1k	2k	4k	8k	Lw dBA	Lp @ 3m dBA
32	2P	18.50	34.4	205	94	97	97	107	100	95	92	91	106	86
	2P/4P**	17/4.2	31/9.2	255	79	82	82	92	85	80	77	76	91	71
30	2P	18.50	34.4	205	95	97	96	106	101	95	92	91	106	86
	2P/4P**	17/4.2	31/9.2	255	80	82	81	91	86	80	77	76	91	71
28	2P	15.00	29	180	92	96	95	106	101	94	92	92	106	86
	2P/4P**	15/3.7	29/7.2	190	77	81	80	91	86	79	77	77	91	71
26	2P	15.00	29	180	90	94	93	104	100	94	91	93	105	84
	2P/4P**	15/3.7	29/7.2	190	85	79	78	89	85	79	76	78	90	69
24	2P	15.00	29	180	87	93	92	103	100	93	91	93	104	84
	2P/4P**	15/3.7	29/7.2	190	72	78	77	88	85	78	76	78	89	69
22	2P	11.00	21	170	86	94	93	107	103	94	92	93	107	87
	2P/4P**	12/3	20.5/6.5	180	71	79	78	92	88	79	77	78	92	72
20	2P	11.00	21	170	85	95	94	109	105	95	92	94	109	89
	2P/4P**	12/3	20.5/6.5	180	70	80	79	94	90	80	77	79	94	74
18	2P	9.20	17.6	145	86	95	95	110	106	96	92	94	110	90
	2P/4P**	8/2	15.5/4	150	71	80	80	95	91	81	77	79	95	75

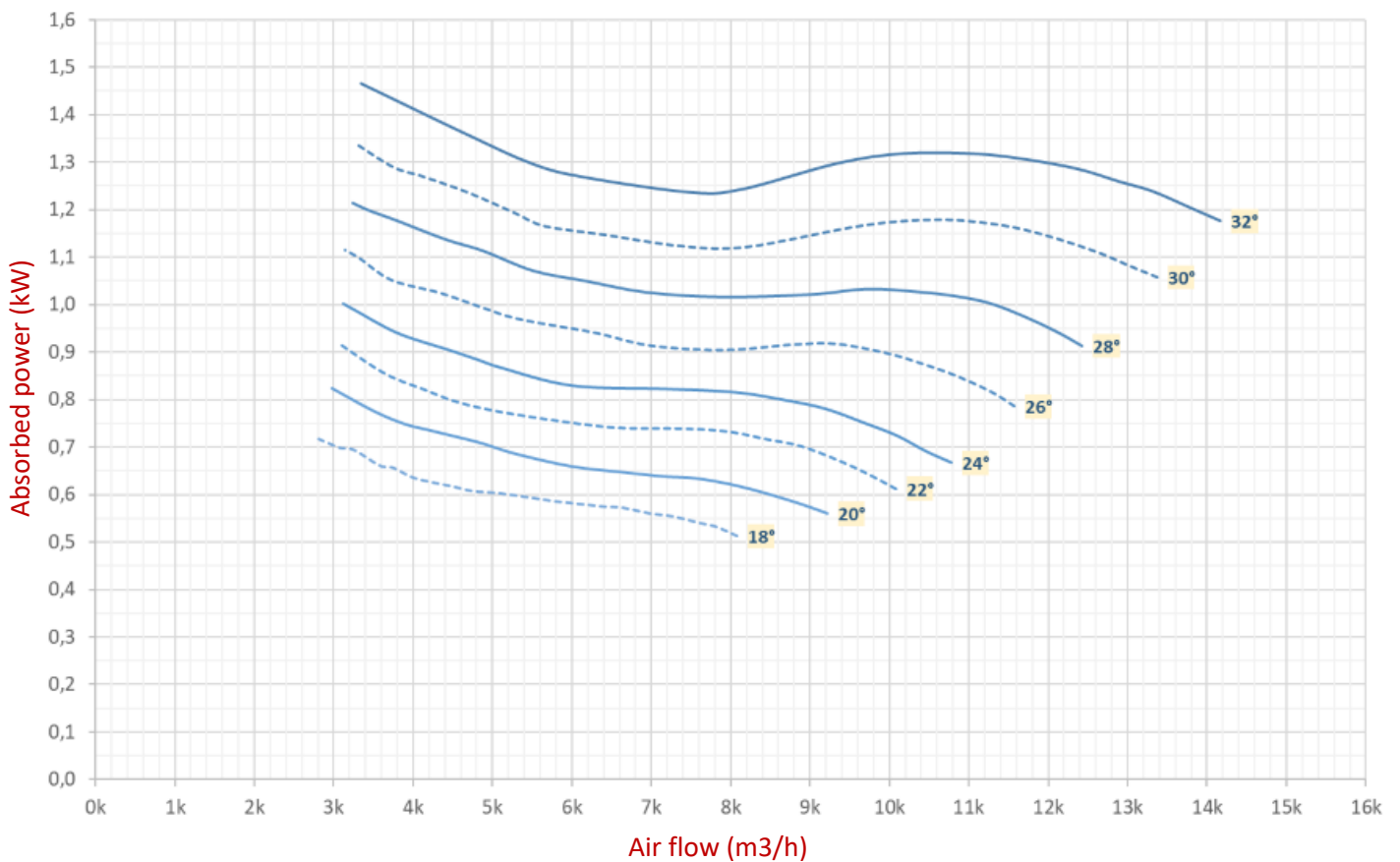
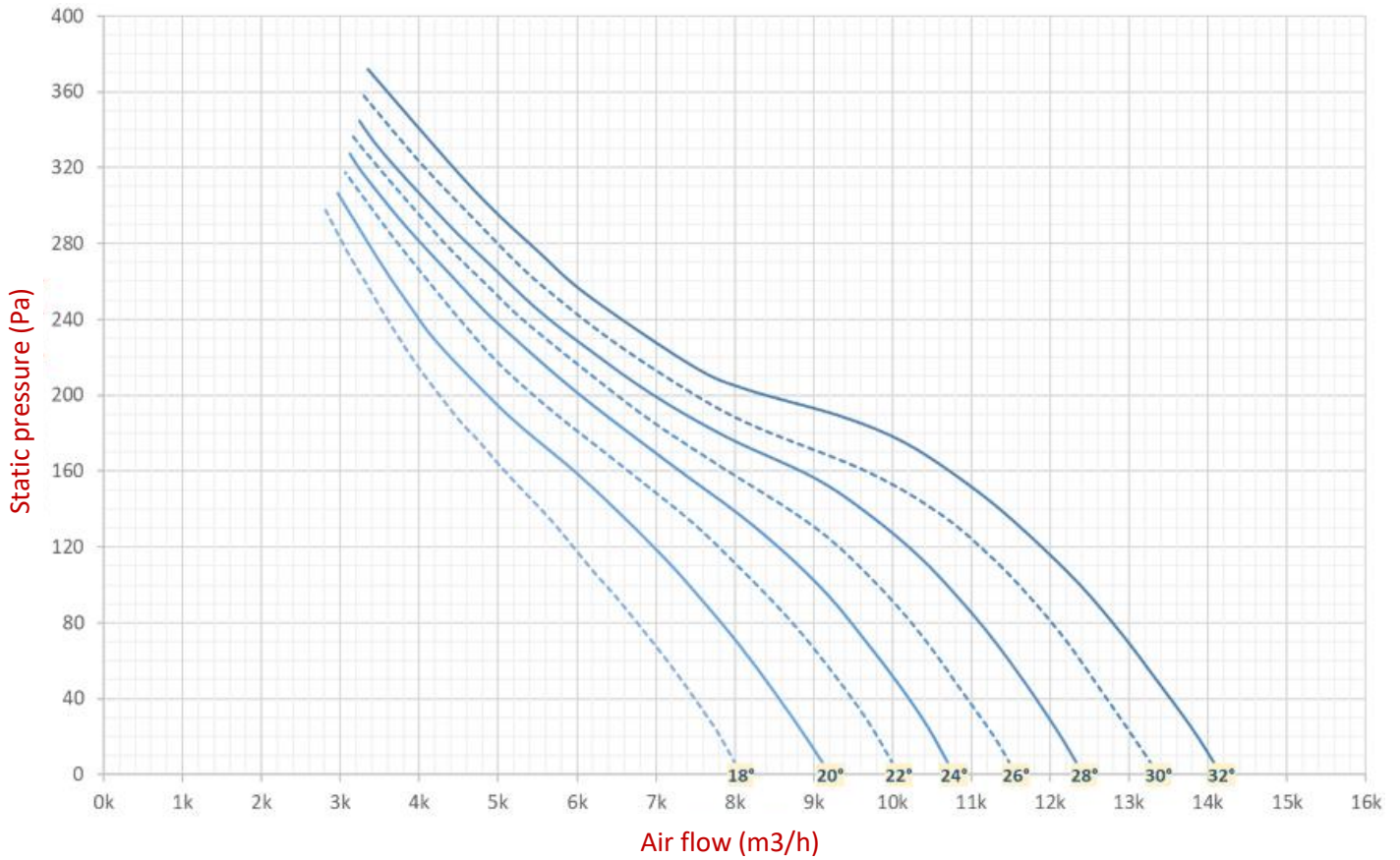
*Indicated weight excluding ancillaries;

**Low speed sound spectrum (4P)

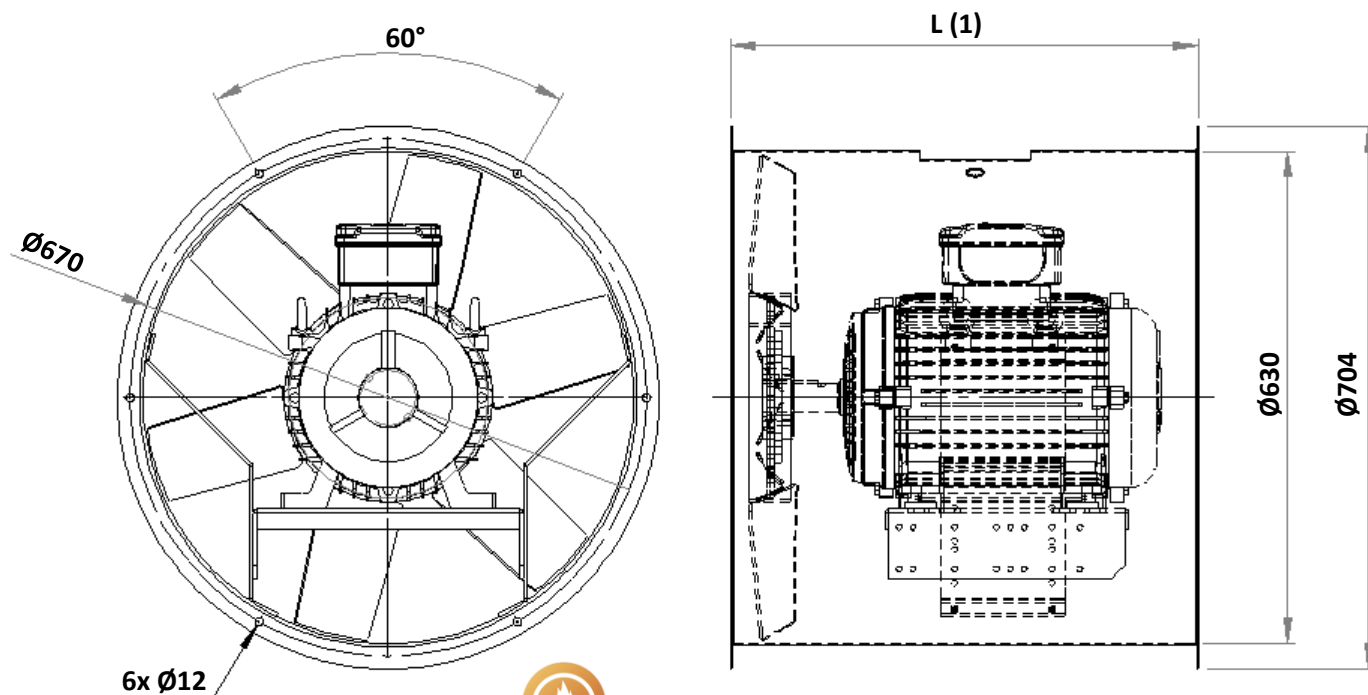
Impeller HT2:



Hélice HT2 :



HT Axial fan D630mm (General dimensions)



EN 12101-3

Notes:

(1): Up to 160mm motor frame, L=675mm

2P: 2poles
 4P: 4poles
 Lw: Sound power level
 Lp: Sound pressure level

Blade angle °	Motor polarity rpm	Max. nominal power kW	Max. nominal current A (400V)	Weight* kg	Sound pressure level (dB)								Lw dBA	Lp @ 3m dBA
					63	125	250	500	1k	2k	4k	8k		
32	2P	11.00	21	146	93	96	96	106	99	94	91	90	105	85
	2P/4P**	12/3	20.5/6.5	150	78	81	81	91	84	79	76	75	90	70
30	2P	9.20	17.6	124	94	96	95	105	100	94	91	90	105	85
	2P/4P**	12/3	20.5/6.5	127	79	81	80	90	85	79	76	75	90	70
28	2P	9.20	17.6	124	91	95	95	105	100	93	91	91	105	85
	2P/4P**	8/2	15.5/4	127	76	80	79	90	85	78	76	76	90	70
26	2P	7.50	14.5	116	89	93	92	103	99	93	90	92	104	83
	2P/4P**	8/2	15.5/4	125	84	78	77	88	84	78	75	77	89	68
24	2P	7.50	14.4	116	86	92	91	102	99	92	90	92	103	83
	2P/4P**	8/2	15.5/4	125	71	77	76	87	84	77	75	77	88	68
22	2P	7.50	14.5	116	85	93	92	106	102	93	91	92	106	86
	2P/4P**	8/2	15.5/4	125	70	78	77	91	87	78	76	77	91	71
20	2P	5.50	10.6	105	84	94	93	108	104	94	91	93	108	88
	2P/4P**	6.0/1.5	11.7/3.1	110	69	79	78	93	89	79	76	78	93	73
18	2P	5.50	10.6	105	85	94	94	109	105	95	91	93	109	89
	2P/4P**	6.0/1.5	11.7/3.1	110	70	79	79	94	90	80	76	78	94	74

*Indicated weight excluding ancillaries;

**Low speed sound spectrum (4P)

Specific fan configuration

For any specific requests or particular applications, we will study and propose solutions for satisfying your requests. Please contact our sales team for details.

Bolt-on guide vanes:



Fans in vertical working position:



Fans in contra-rotation:

